

PANEL MOUNT PINCH VALVES



For applications that require better access or enhanced cleanliness, Clippard NPV series pinch valves are also available with a convenient panel mount option. Panel mounted pinch valves provide all the same benefits as Clippard's standard NPV series along with seamless integration and easy accessibility. Compared to standard manifold mounted pinch valves, panel mounting offers simplified installation, a cleaner appearance, and reduced contamination risk.

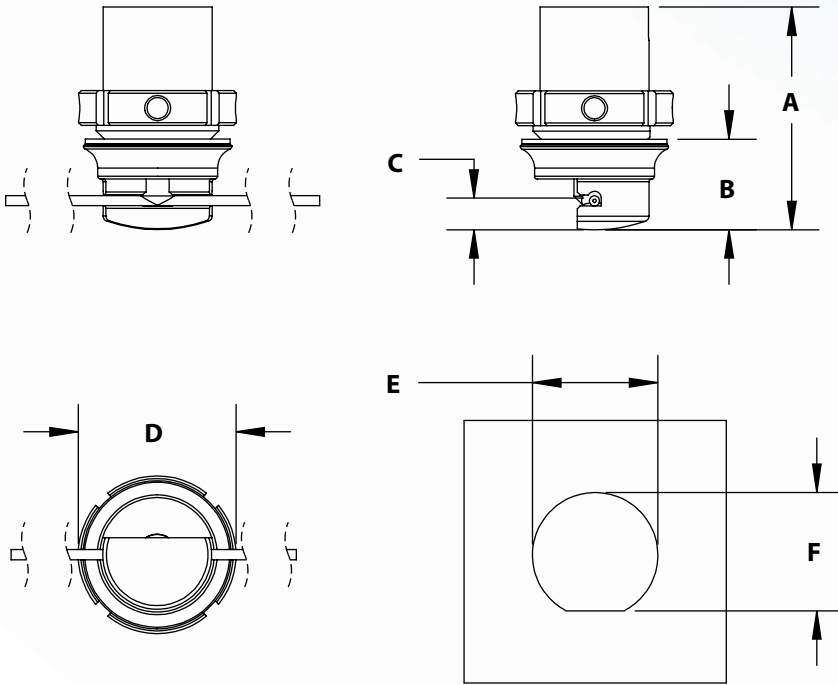
As with all Clippard pinch valves, the panel mounted NPV series feature an unobstructed flow path with zero dead volume—only the inside of the tubing contacts the fluid.

- Unobstructed flow path
- Each valve comes with 12" (30 cm) of silicone tubing pre-installed
- Tubing is easily replaceable
- Low power consumption
- High cycle life
- Large variety of tubing sizes available

Connection	18" (45 cm) wire leads
Function	2-way normally-open or normally-closed
Material, Body	Stainless steel
Material, Wetted	Silicone tubing (<i>no wetted areas in valve</i>)
Max. Flow	60 l/min @ 30 psig (2 bar)
Max. Pressure	30 psig (2 bar)
Max. Temperature of Coil	158°F (70°C)
Medium	Air, water, gas, or compatible fluids
Mount	#2-56 or #4-40 manifold (<i>M3 available</i>)
Operating Pressure	20 to 30 psig (1.4 to 2 bar) with standard medical / laboratory grade silicone tubing
Ports	#10-32, 1/4-28 UNF, or 1/8 NPS
Response Time	5 to 25 ms
Voltage	12 or 24 VDC (<i>additional options available</i>)
Wattage	1.0 to 7.2 watts
More Details	clippard.com/link/npv-p



DIMENSIONS

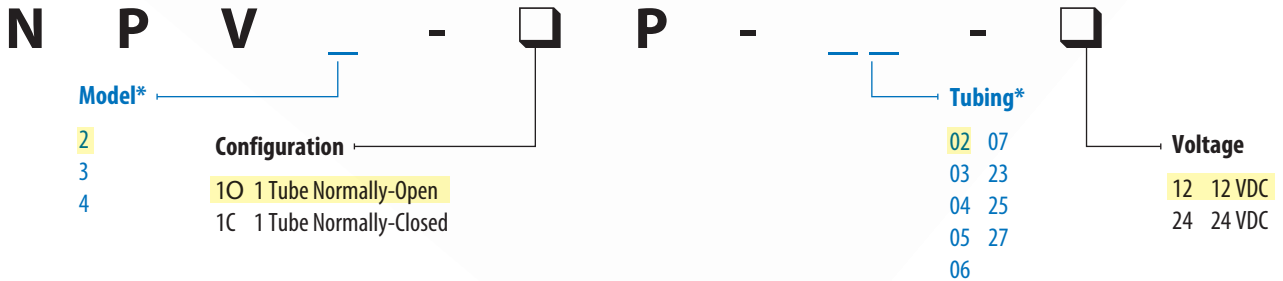


Model	2	3	4
A - N.O.	2.04" (51.89)	2.45" (62.23)	2.83" (71.98)
A - N.C.	2.19" (55.74)	2.62" (66.61)	3.01" (76.37)
B	.83" (21.08)	1.04" (26.37)	1.32" (33.58)
C	0.29" (7.37)	0.42" (10.54)	0.53" (13.49)
D	1.45" dia. (36.75)	1.70" dia. (43.13)	1.94" dia. (49.38)
E	1.150" ±0.005" dia. (29.21 ±0.13)	1.390" ±0.005" dia. (35.31 ±0.13)	1.640" ±0.005" dia. (41.66 ±0.13)
F	1.085" ±0.005" (27.56 ±0.13)	1.335" ±0.005" (33.91 ±0.13)	1.580" ±0.005" (40.13 ±0.13)

Dimensions shown are in inches
(millimeters listed in parentheses).

Visit clippard.com for more detailed
2D and 3D drawings.

ORDERING INFORMATION



*Use the chart below to identify the appropriate **Model** and **Tubing** based on the desired specifications.

Tubing Type	Max. Pressure	Tubing I.D.	Tubing O.D.	Tubing Wall	Amps	Power	Model	Tubing
Medical/Laboratory Grade Silicone Tubing	30 psig (2 bar)	1/32" (0.8 mm)	3/32" (2.4 mm)	1/32" (0.8 mm)	0.13	1.5 W	2	02
		1/16" (1.6 mm)	1/8" (3.2 mm)	1/32" (0.8 mm)	0.13	1.5 W	2	03
		1/16" (1.6 mm)	3/16" (4.8 mm)	1/16" (1.6 mm)	0.40	4.2 W	3	04
	20 psig (1.4 bar)	1/8" (3.2 mm)	1/4" (6.4 mm)	1/16" (1.6 mm)	0.40	4.2 W	4	05
		3/16" (4.8 mm)	5/16" (7.9 mm)	1/16" (1.6 mm)	0.60	7.2 W	4	06
		1/4" (6.4 mm)	3/8" (9.5 mm)	1/16" (1.6 mm)	0.60	7.2 W	4	07
Sanitary Food Grade Silicone Tubing	14 psig (1 bar)	1/16" (1.6 mm)	1/8" (3.2 mm)	1/32" (0.8 mm)	0.13	1.5 W	2	23
		1/8" (3.2 mm)	1/4" (6.4 mm)	1/16" (1.6 mm)	0.40	4.2 W	3	25
	9 psig (0.6 bar)	1/4" (6.4 mm)	3/8" (9.5 mm)	1/16" (1.6 mm)	0.60	7.2 W	4	27

Example Part Number:

NPV2-1OP-02-12

For more info, scan the
QR code or visit

clippard.com/link/npv-p

