

# *Clippard*

## ISOLATION VALVES



# Isolation Valves

## Eclipse Proportional Isolation Valve



**p. 2**

*Patented ceramic slide technology*

*Unrivalled resolution*

*All wetted areas ceramic*

## NIV Series PTFE Isolation Valves



**p. 4**

*All wetted areas PTFE*

## PIV Series PTFE & PEEK Isolation Valves



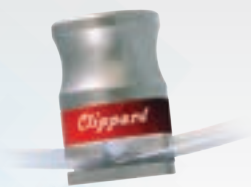
**p. 6**

*All wetted areas PTFE & PEEK*

*Higher pressures*

*Enhanced durability*

## NPP Series Pneumatic Pinch Valves



**p. 14**

*Zero dead volume*

*Pneumatic*

## NPV Series Electronic Pinch Valves



**p. 16**

*Zero dead volume*

*Electronic*

## NPV7 Long Stroke Pinch Valve



**p. 20**

*Long stroke*

*Panel mounted*

## NIV Series Gradient / Mixing Valves



**p. 8**

*All wetted areas PTFE*

*Individually-controlled  
flow paths*

## AIV Series Air-Operated Isolation Valve



**p. 10**

*Air-operated*

*All wetted areas PTFE & PEEK*

## E2S Compact 10 mm Isolation Valve



**p. 12**

*Compact*

*Lightweight*

## NPV Series Panel Mount Pinch Valves



**p. 22**

*Zero dead volume*

*Electronic*

*Panel mount*

## Coming Soon! Hit & Hold Option

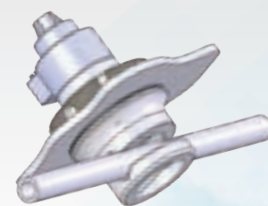


**p. 24**

*Air-operated*

*All wetted areas PTFE & PEEK*

## Coming Soon! Proportional Pinch Valve



**p. 26**

*Compact*

*Lightweight*

# ECLIPSE PROPORTIONAL ISOLATION VALVE



The Eclipse is a proportional isolation valve like no other. Utilizing patented slide technology, it achieves exceptional proportional flow resolution that far exceeds the competition. Designed for precision, its flow path is fully flushable and composed entirely of inert ceramic, ensuring compatibility with a wide range of media. In addition, the Eclipse features a unique soft start capability that gradually introduces media at a controlled ramp rate to prevent damage or turbulence.

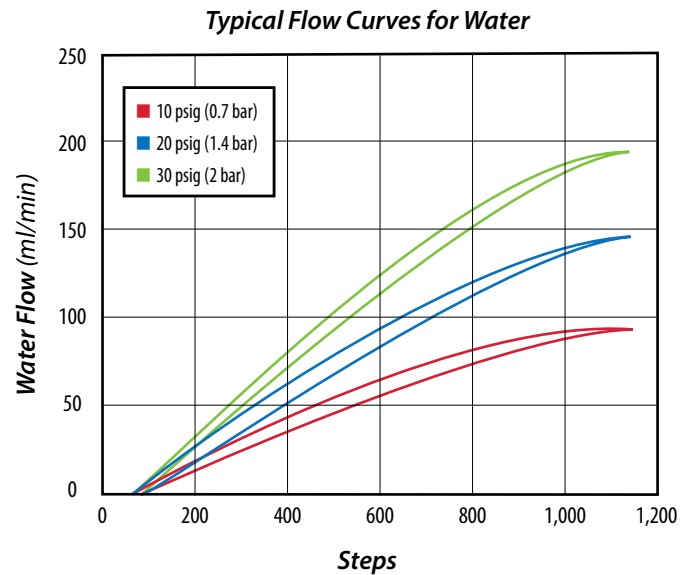
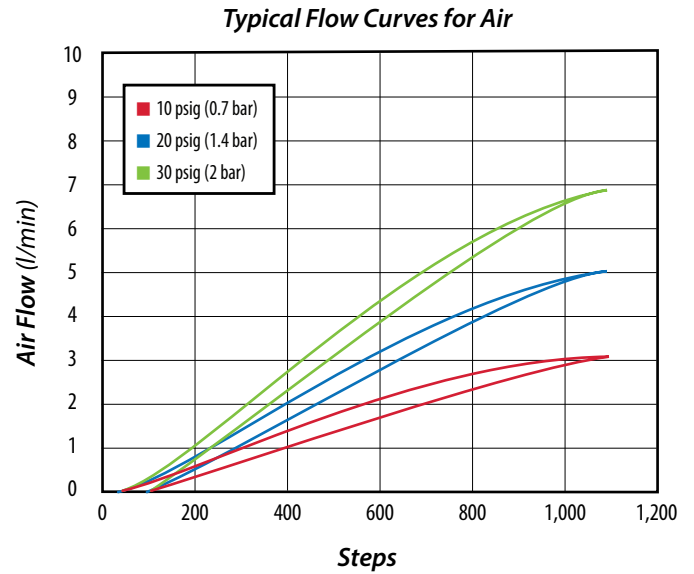
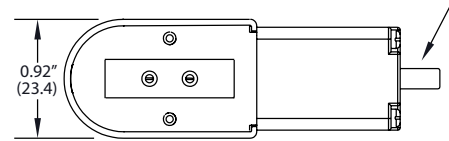
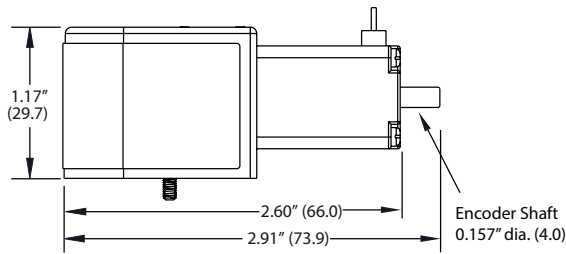
Utilizing a robust and powerful miniature linear actuator, the Eclipse is stepper-controlled, micro-stepping capable, encoder-ready, and its unique design allows for custom flow profiles.

For applications that demand exceptional liquid and gas control, Clippard's Eclipse offers outstanding precision and unrivaled proportional flow resolution.

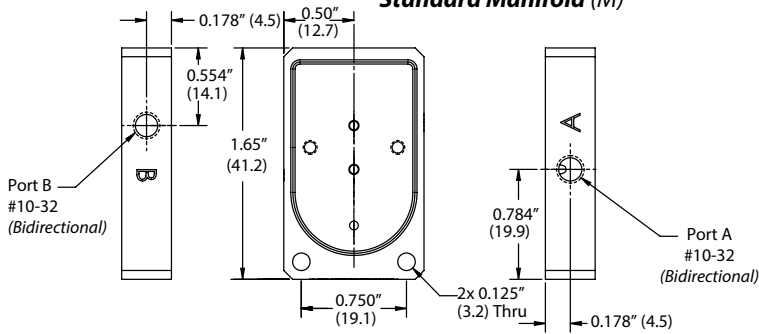
- **Unrivaled resolution**
- **Inert flow path** (*all wetted areas ceramic*)
- **Soft start prevents damage or turbulence**
- **Zero dead volume** (*fully flushable, <0.0009 in<sup>3</sup>*)
- **Excellent linearity** (*<4% of full-scale*)
- **Fast response** (*<2 ms reaction time*)
- **Cycle life of typically >1 million cycles**
- **Repeatability <5% of full travel**
- **Bi-directional**

<b>Current</b>	0.49A per phase
<b>Cycle Life</b>	Typically >1 million
<b>Driver</b>	Bipolar chopper drive required
<b>Flow Range</b>	<b>Air:</b> 0 to 7 l/min <b>Water:</b> 0 to 190 l/min -0 / +10% @ 30 psig (2 bar)
<b>Flow Resolution</b>	<b>Air:</b> 0.000487 l/min (487.5 µl) @ 30 psig (2 bar) <b>Water:</b> 0.0002 l/min (200 µl) @ 30 psig (2 bar)
<b>Linearity</b>	<4% of full-scale
<b>Material, Body</b>	Ceramic
<b>Material, Seals</b>	FKM standard, EPDM and others available
<b>Material, Wetted</b>	Ceramic (others depending on porting option)
<b>Max. Flow</b>	<b>Air:</b> 0 to 7 l/min -0 /+10% <b>Water:</b> 0 to 190 ml/min -0 /+10% @ 30 psig (2 bar)
<b>Max. psig</b>	30 psig (2 bar)
<b>Medium</b>	Liquids and gases
<b>Mount</b>	Manifold or flat bottom (ZDVF)
<b>Number of Ports</b>	2
<b>Operating Pressure</b>	Vac. to 30 psig (2 bar)
<b>Operating Temp. Range</b>	32 to 180°F (0 to 82°C)
<b>Port, Exhaust</b>	None
<b>Port, Inlet</b>	#10-32, Manifold or ZDVF ( <i>zero dead volume fitting</i> )
<b>Port, Outlet</b>	#10-32, Manifold or ZDVF ( <i>zero dead volume fitting</i> )
<b>Position Resolution</b>	0.00006" (0.0015 mm)
<b>Power Requirement</b>	20 VDC supply to motor @ 30 psig (2 bar)
<b>Proof Pressure</b>	50 psig (3.4 bar)
<b>Response Time</b>	<2 ms
<b>Wattage</b>	2.5 watts nominal ( <i>only during adjustment, zero power consumption to maintain position</i> )
<b>More Details</b>	<a href="http://clippard.com/link/eclipse-valve">clippard.com/link/eclipse-valve</a>

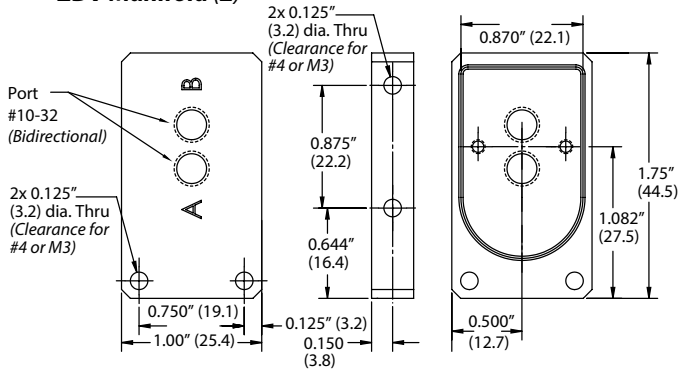
*\*This product is highly modifiable for OEM applications, including alternate body materials, flow profiles, and more. Call 877-245-6247 to discuss your needs.*



**Standard Manifold (M)**



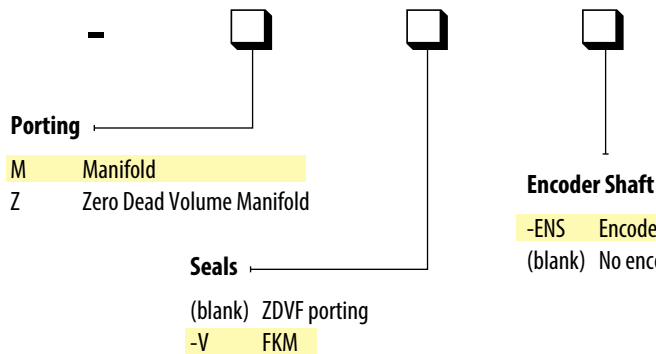
**ZDV Manifold (Z)**



Dimensions shown are in inches (millimeters listed in parentheses).  
Visit [clippard.com](http://clippard.com) for more detailed 2D and 3D drawings.

**ORDERING INFORMATION**

**E I V U**



**Accessories**

- EUM-01 Single-Station Manifold, #10-32
- M-EUM-01 Single-Station Manifold, M5x0.8
- SCPVD-1 Bipolar Chopper Driver
- ZDVF-18 Headless 1/4-28 Flatbottom Fitting, 1/8" (3.2 mm) OD (IDEX p/n XP-348)

Also Recommended: Miniature optical encoder from US Digital for 4 mm bore with metric screws (p/n E4T)

**Example Part Number:**  
**EIVU-M-V-ENS**

For more info, scan the QR code or visit [clippard.com/link/eclipse-valve](http://clippard.com/link/eclipse-valve)



## NIV SERIES PTFE VALVES

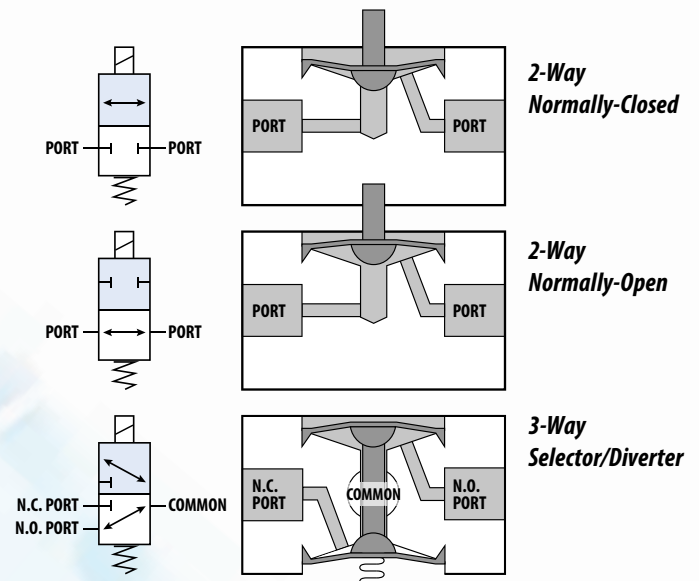


The NIV series media isolation valve is a solenoid-operated device that utilizes a flexible diaphragm to isolate the actuation mechanism from the fluid path. This unique, multifunctional valve stem results in a simplified design with fewer parts, longer life and minimal dead volume. In addition, all wetted areas of the NIV series are PTFE, making it ideal for use with corrosive media.



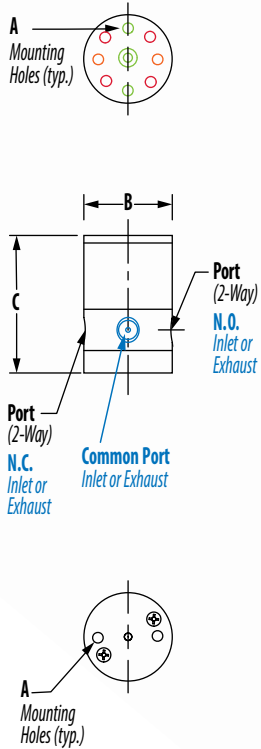
<b>Connection</b>	18" (45 cm) wire leads
<b>Documentation</b>	CE, RoHS
<b>Flow Range</b>	5 to 60 l/min @ 30 psig (2 bar) air
<b>Function</b>	2-way normally-closed or normally-open, 3-way selector/diverter
<b>Material, Wetted</b>	PTFE, FKM
<b>Max. Flow</b>	60 l/min @ 30 psig (2 bar) air
<b>Medium</b>	Air, water, gas, or compatible fluids
<b>Mount</b>	#2-56, #4-40, or manifold (0.118" thru hole)
<b>Operating Temp. Range</b>	-20 to 158°F (-29 to 70°C)
<b>Operating Pressure</b>	Vac. to 30 psig (2 bar)
<b>Ports</b>	#10-32, 1/4-28 UNF, or 1/8 NPS
<b>Response Time</b>	5 to 50 ms typical
<b>Voltage</b>	12 to 24 VDC ( <i>additional options available</i> )
<b>Wattage</b>	1.0 to 7.2 watts
<b>More Details</b>	<a href="http://clippard.com/link/niv-series">clippard.com/link/niv-series</a>

- Low power consumption
- Compact, lightweight design
- Bidirectional
- Minimal dead volume
- Fully flushable
- All wetted areas PTFE
- Ideal for use with corrosive media
- High cycle life
- Fast response time
- Proudly made in the USA



### Orifice 1 & 2

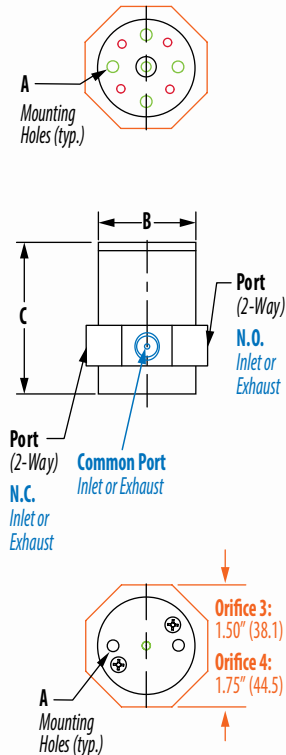
All In-Line Versions



- All versions
- 3-Way only
- Orifice 1 only
- Orifice 2: 2-Way Normally-Closed only
- Orifice 2: 2-Way Normally-Open & 3-Way

### Orifice 3 & 4

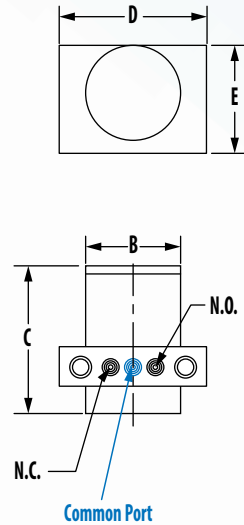
All In-Line Versions



- All versions
- 3-Way only
- Orifice 3 & 4 only
- 2-Way Normally-Closed only
- 2-Way Normally-Open & 3-Way

### Orifice 1, 2, 3, & 4

All Manifold Mount Versions



- All versions
- 3-Way Only

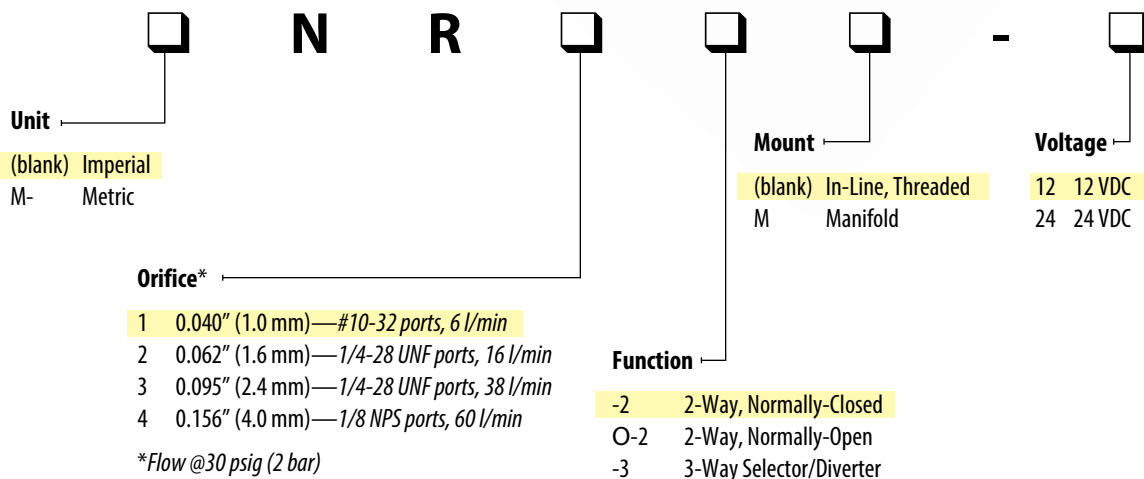
### DIMENSIONS

Orifice	A	B	C	D	E
1	#2-56	0.750" (19.1)	1.154" to 1.162" (29.3 to 29.5)	1.250" (25.4)	0.875" (22.2)
2	#4-40	1.000" (25.4)	1.487" to 1.492" (37.8 to 37.9)	1.250" (31.8)	1.125" (28.6)
3	#4-40	1.250" (31.8)	1.813" to 1.863" (46.1 to 47.3)	1.625" (41.3)	1.375" (34.9)
4	#4-40	1.500" (38.1)	2.038" to 2.088" (51.8 to 53.0)	1.875" (47.6)	1.625" (41.3)

Dimensions shown are in inches (millimeters listed in parentheses).

Visit [clippard.com](http://clippard.com) for more detailed 2D and 3D drawings.

## ORDERING INFORMATION



### Example Part Number:

NR1-2-12

For more info, scan the QR code or visit

[clippard.com/link/niv-series](http://clippard.com/link/niv-series)



## PIV SERIES PTFE & PEEK VALVES

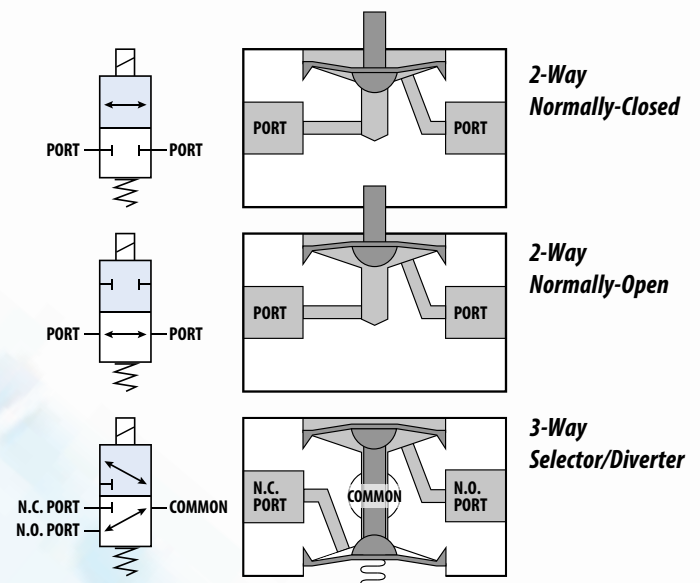


The PIV series features the same solenoid-operation and multifunctional valve stem design as the NIV series but with the added benefit of a PEEK body. This enables the PIV series to deliver higher pressures and provide enhanced durability. All wetted areas of the PIV series are PTFE and PEEK.

<b>Connection</b>	18" (45 cm) wire leads
<b>Documentation</b>	CE, RoHS
<b>Flow Range</b>	5 to 60 l/min @ 30 psig (2 bar) air 10 to 115 l/min @ 100 psig (7 bar) air
<b>Function</b>	2-way normally-closed or normally-open, 3-way selector/diverter
<b>Material, Wetted</b>	PTFE, PEEK, FKM*
<b>Max. Flow</b>	60 l/min @ 30 psig (2 bar) air 115 l/min @ 100 psig (7 bar) air
<b>Medium</b>	Air, water, gas, or compatible fluids
<b>Mount</b>	#2-56, #4-40, or manifold (0.118" thru hole)
<b>Operating Temp. Range</b>	-20 to 158°F (-29 to 70°C)
<b>Operating Pressure</b>	Vac. to 30 psig (2 bar) or 100 psig (7 bar)
<b>Ports</b>	#10-32, 1/4-28 UNF, or 1/8 NPS
<b>Response Time</b>	5 to 50 ms typical
<b>Voltage</b>	12 to 24 VDC ( <i>additional options available</i> )
<b>Wattage</b>	1.0 to 15 watts
<b>More Details</b>	<a href="http://clippard.com/link/piv-series">clippard.com/link/piv-series</a>

\*Manifold version only

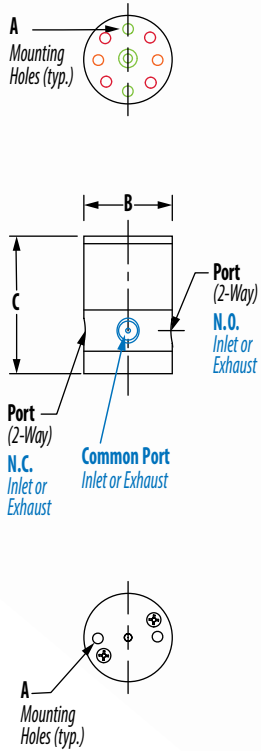
- Low power consumption
- Compact, lightweight design
- Bidirectional
- Minimal dead volume
- Fully flushable
- All wetted areas PTFE or PEEK
- Ideal for use with corrosive media
- High cycle life
- Fast response time
- Proudly made in the USA





### Orifice 1 & 2

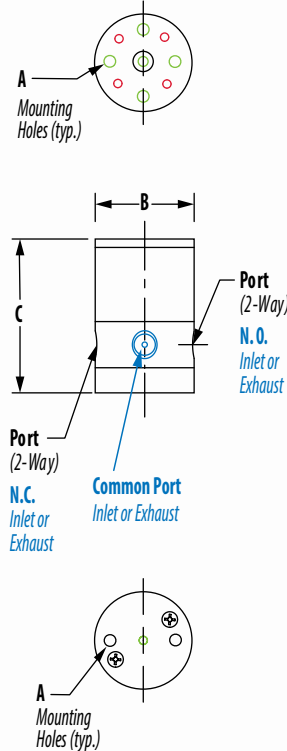
All In-Line Versions



- All versions
- 3-Way only
- Orifice 1 only
- Orifice 2: 2-Way Normally-Closed only
- Orifice 2: 2-Way Normally-Open & 3-Way

### Orifice 3 & 4

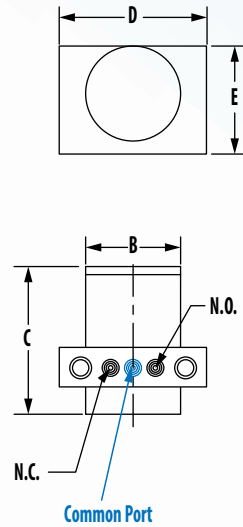
All In-Line Versions



- All versions
- 3-Way only
- 2-Way Normally-Closed only
- 2-Way Normally-Open & 3-Way

### Orifice 1, 2, 3, & 4

All Manifold Mount Versions



- All versions
- 3-Way Only

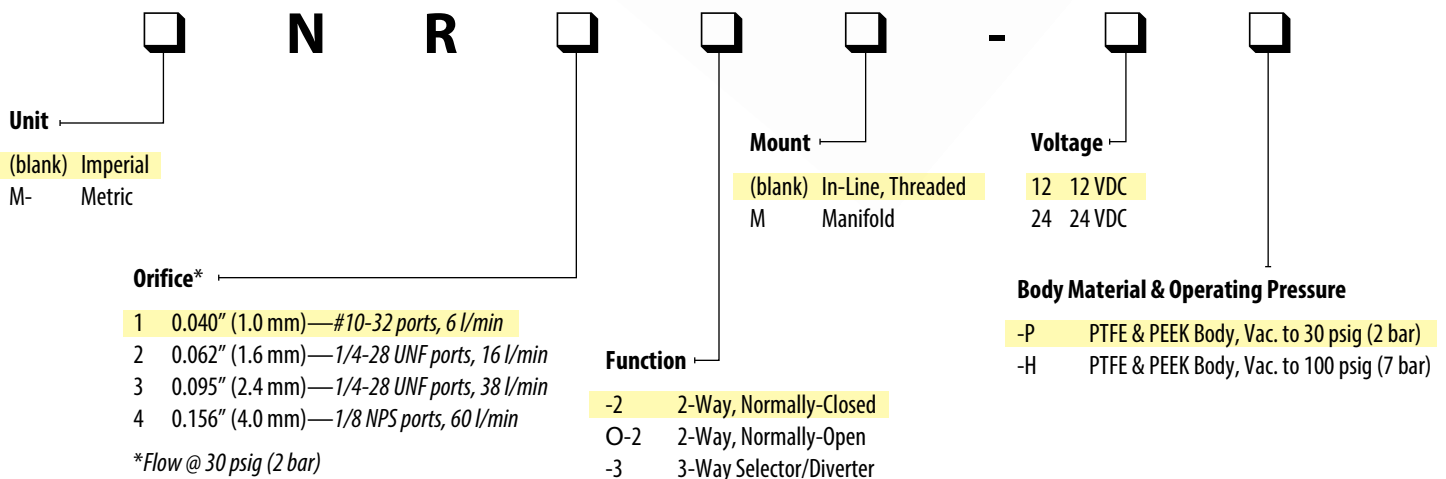
### DIMENSIONS

Orifice	A	B	C	D	E
1	#2-56	0.750" (19.1)	1.154" to 1.162" (29.3 to 29.5)	1.250" (25.4)	0.875" (22.2)
2	#4-40	1.000" (25.4)	1.487" to 1.492" (37.8 to 37.9)	1.250" (31.8)	1.125" (28.6)
3	#4-40	1.250" (31.8)	1.813" to 1.863" (46.1 to 47.3)	1.625" (41.3)	1.375" (34.9)
4	#4-40	1.500" (38.1)	2.038" to 2.088" (51.8 to 53.0)	1.875" (47.6)	1.625" (41.3)

Dimensions shown are in inches  
(millimeters listed in parentheses).

Visit [clippard.com](http://clippard.com) for more detailed  
2D and 3D drawings.

## ORDERING INFORMATION



### Example Part Number:

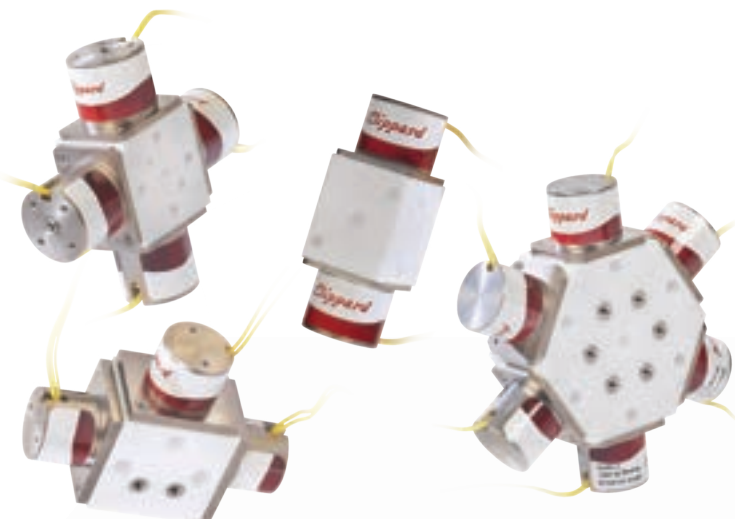
NR1-2-12-P

For more info, scan the  
QR code or visit

[clippard.com/link/piv-series](http://clippard.com/link/piv-series)



## NIV SERIES MIXING VALVES

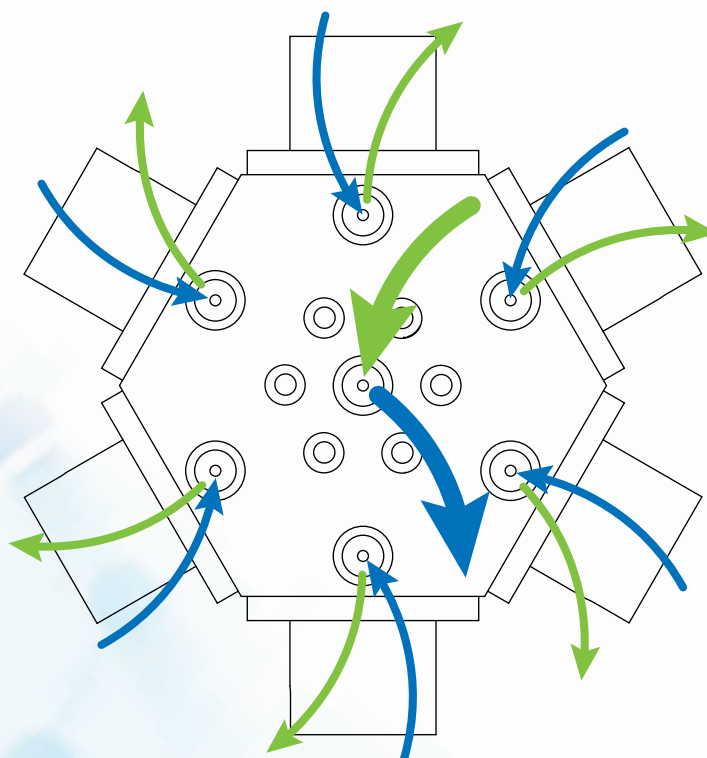


NIV series multi-channel gradient valves feature multiple 2-way, normally-closed PTFE media isolation valves connected around a central body. This unique design provides significant reduction in internal volume with enhanced mixing capabilities. Each actuator operates independently, allowing for flow of various media to be mixed or for one media to be split into multiple streams. These multi-channel gradient mixing valves are useful for solvent selection, stream splitting, flushing, and other automated applications.

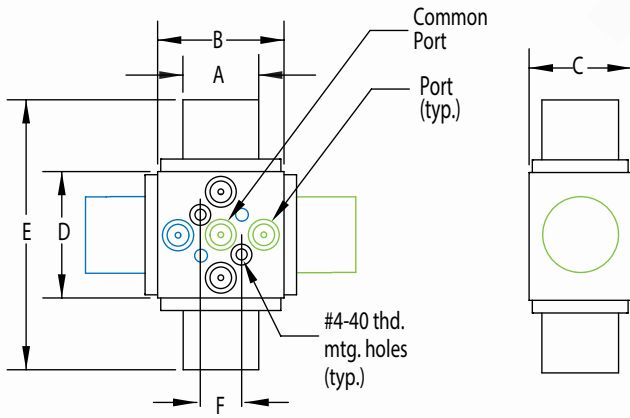
- Individually controlled flow paths
- Mix flow from various media
- Split media into multiple streams

<b>Connection</b>	18" (45 cm) wire leads
<b>Flow Range</b>	5 to 60 l/min @ 30 psig (2 bar) air
<b>Function</b>	2-way normally-closed
<b>Material, Wetted</b>	PTFE
<b>Max. Flow</b>	60 l/min @ 30 psig (2 bar) air
<b>Medium</b>	Air, water, gas, or corrosive fluids
<b>Mount</b>	#4-40 (metric also available)
<b>Operating Temp. Range</b>	-20 to 158°F (-29 to 70°C)
<b>Operating Pressure</b>	Vac. to 30 psig (2 bar)
<b>Ports</b>	1/4-28 UNF or 1/8 NPS
<b>Response Time</b>	5 to 50 ms typical
<b>Voltage</b>	12 to 24 VDC (additional options available)
<b>Wattage</b>	1.0 to 7.2 watts
<b>More Details</b>	<a href="http://clippard.com/link/niv-mixing">clippard.com/link/niv-mixing</a>

**Multiple Inputs** with a **Common Output**, or **Multiple Outputs** with a **Common Input**

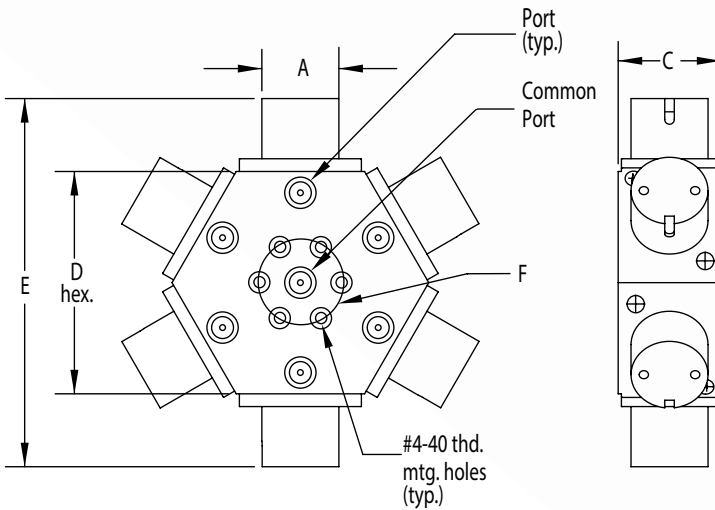


## 2-, 3-, & 4-Valve Models



- 2-, 3-, & 4-Valve Models
- 3- & 4-Valve Models Only
- 4-Valve Model Only

## 6-Valve Models



## DIMENSIONS

Orifice	# Valves	A	B	C	D	E	F
1	2, 3, or 4	0.750" (19.1)	1.250" (31.8)	1.000" (25.4)	1.250" (31.8)	2.670" (67.8)	0.400" (10.2)
	6	0.750" (19.1)	-	1.000" (25.4)	2.165" (55.0)	3.585" (91.1)	0.800" (20.3)
2	2, 3, or 4	1.000" (25.4)	1.500" (38.1)	1.250" (31.8)	1.500" (38.1)	3.362" (85.4)	0.500" (12.7)
	6	1.000" (25.4)	-	1.250" (31.8)	2.598" (66.0)	4.460" (113.3)	1.155" (29.3)
3	2, 3, or 4	1.250" (31.8)	1.750" (44.5)	1.375" (34.9)	1.750" (44.5)	4.100" (104.1)	0.625" (15.9)
	6	1.250" (31.8)	-	1.375" (34.9)	3.031" (77.0)	5.381" (136.7)	1.250" (31.8)
4	2, 3, or 4	1.500" (38.1)	2.000" (50.8)	1.625" (41.3)	2.000" (50.8)	4.458" (113.2)	0.625" (15.9)
	6	1.500" (38.1)	-	1.625" (41.3)	3.464" (88.0)	6.013" (152.7)	1.250" (31.8)

Dimensions shown are in inches (millimeters listed in parentheses).

Visit [clippard.com](http://clippard.com) for more detailed 2D and 3D drawings.

## ORDERING INFORMATION

**N** **R**    - **2** -    - **G**   

Orifice\*

- 1 0.040" (1.0 mm) — 1/4-28 UNF ports, 6 l/min
- 2 0.062" (1.6 mm) — 1/4-28 UNF ports, 16 l/min
- 3 0.095" (2.4 mm) — 1/4-28 UNF ports, 38 l/min
- 4 0.156" (4.0 mm) — 1/8 NPS ports, 60 l/min

\*Flow @30 psig (2 bar)

Voltage

- 12 12 VDC
- 24 24 VDC

# of Valves

- 2 2 valves
- 3 3 valves
- 4 4 valves
- 6 6 valves

Example Part Number:

**NR1-2-12-G2**

For more info, scan the QR code or visit

[clippard.com/link/niv-mixing](http://clippard.com/link/niv-mixing)



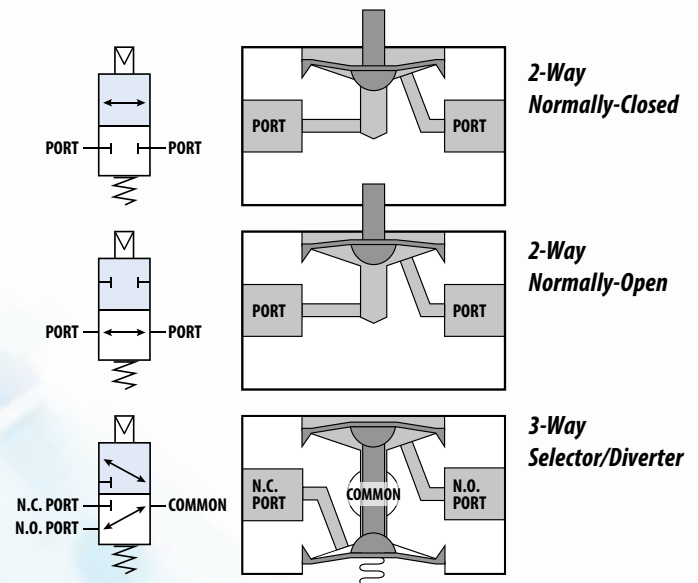
# AIV SERIES AIR-OPERATED VALVES

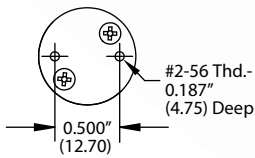
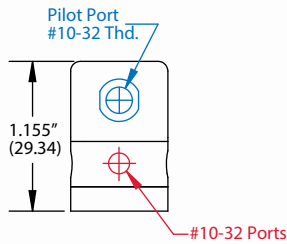
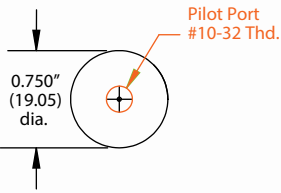
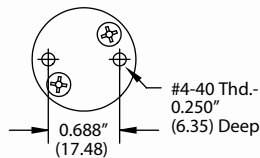
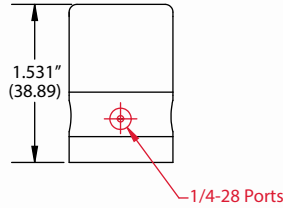
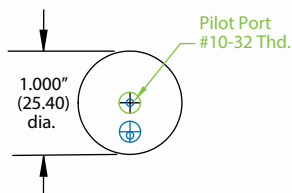
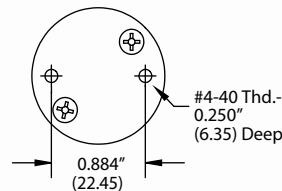
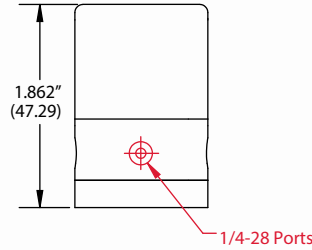
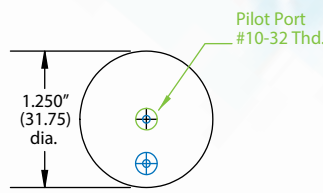
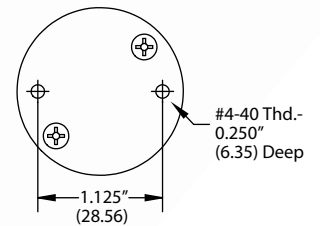
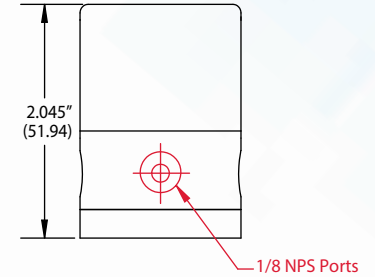
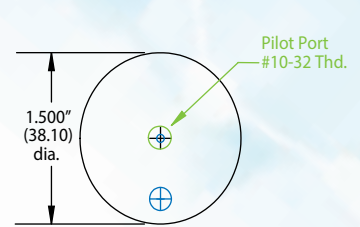


Like the NIV and PIV series, the AIV series features Clippard's unique multifunctional valve stem design for longer life and minimal dead volume. The difference with the AIV series is that it also provides the added benefit of air operation, which is—by definition—intrinsically-safe. No solenoid means absolutely no heat buildup from the coil, making the AIV series ideal for applications that utilize temperature-sensitive media. Like the PIV, all wetted areas of the AIV series are PTFE and PEEK, making it ideal for use with corrosive media.

- Zero power consumption (air-operated)
- Excellent intrinsically safe valve substitute
- No heat build-up
- Compact, lightweight design
- Bidirectional
- Minimal dead volume
- Fully flushable
- All wetted areas PTFE or PEEK
- High cycle life
- Fast response time
- Proudly made in the USA

<b>Connection</b>	#10-32 UNF ( <i>pilot port</i> )
<b>Documentation</b>	CE, RoHS
<b>Flow Range</b>	10 to 180 l/min @ 100 psig (7 bar)
<b>Function</b>	2-way normally-closed or normally-open or 3-way selector/diverter
<b>Material, Wetted</b>	PTFE, PEEK
<b>Medium</b>	Air, water, gas, or compatible fluids
<b>Mount</b>	#2-56 or #4-40
<b>Operating Temp. Range</b>	-30 to 180° F (-34 to 82° C)
<b>Operating Pressure</b>	Vac. to 100 psig (7 bar)
<b>Pilot Pressure, Max.</b>	100 psig (7 bar)
<b>Pilot Pressure, Min.</b>	30 psig (2 bar)
<b>Ports</b>	#10-32, 1/4-28 UNF, or 1/8 NPS
<b>More Details</b>	<a href="http://clippard.com/link/aiv">clippard.com/link/aiv</a>



**Model 1****Model 2****Model 3****Model 4**

- All versions
- 2-Way, Normally-Closed (-2)
- 2-Way, Normally-Open (0-2)
- 3-Way Selector/Diverter (-3)
- 2-Way, Normally-Open & 3-Way Selector/Diverter (0-2 and -3)

Dimensions shown are in inches (millimeters listed in parentheses).  
Visit [clippard.com](http://clippard.com) for more detailed 2D and 3D drawings.

## ORDERING INFORMATION

# A I V

**Orifice\***

- 1 0.040" (1.0 mm)—#10-32 ports; 2-way: 30 l/min, 3-way: 10 l/min
- 2 0.062" (1.6 mm)—1/4-28 UNF ports; 2-way: 60 l/min, 3-way: 35 l/min
- 3 0.095" (2.4 mm)—1/4-28 UNF ports; 2-way: 130 l/min, 3-way: 75 l/min
- 4 0.156" (4.0 mm)—1/8 NPS ports; 2-way: 180 l/min, 3-way: 115 l/min

\*Flow @ 100 psig (7 bar)

**Function**

- 2 2-Way, Normally-Closed
- 0-2 2-Way, Normally-Open
- 3 3-Way Selector/Diverter

**Example Part Number:**

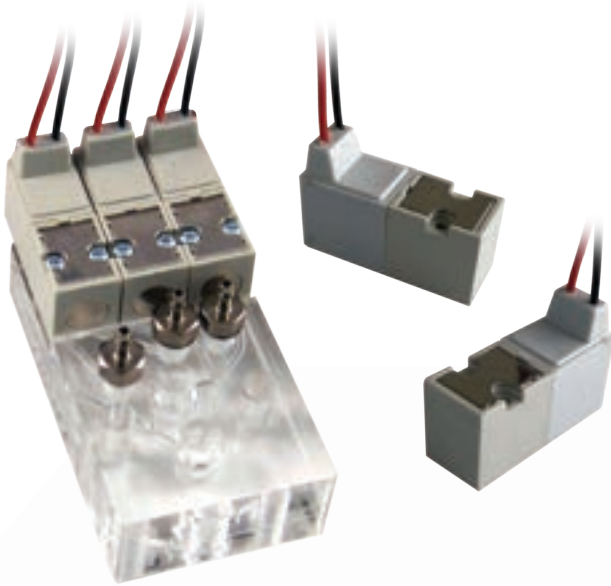
**AIV1-2**

For more info, scan the QR code or visit

[clippard.com/link/aiv](http://clippard.com/link/aiv)



## E2S SERIES ISOLATION VALVES



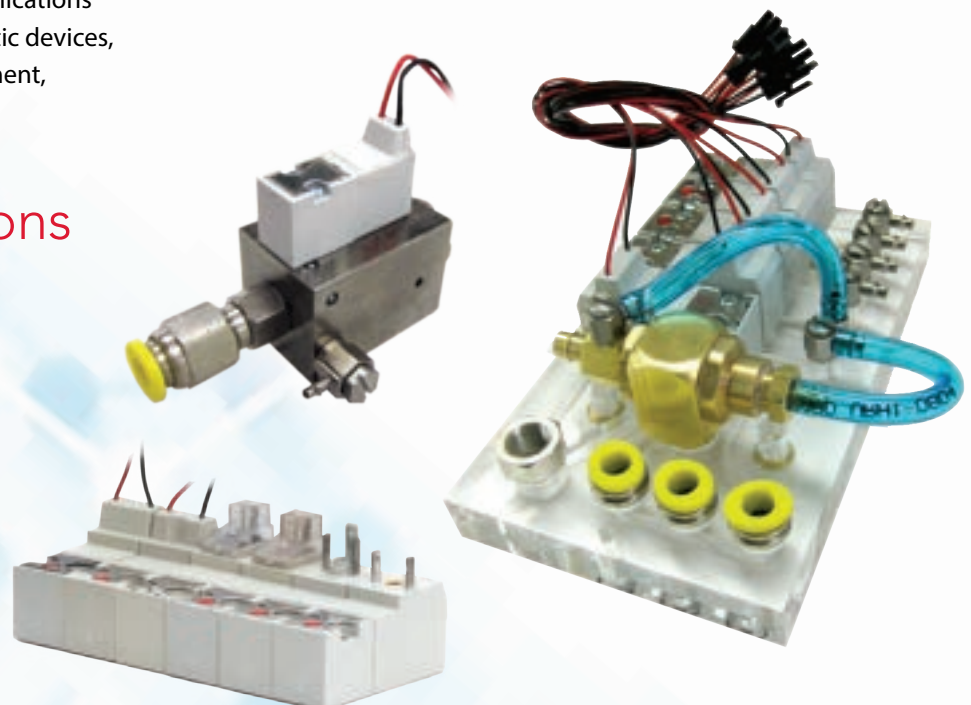
<b>Connection</b>	11.8" (30 cm) wire leads
<b>Flow Range</b>	15 to 30 l/min
<b>Function*</b>	2-way normally-closed isolation ( <i>monodirectional</i> )
<b>Material, Body</b>	Nylon
<b>Material, Seals</b>	EPDM
<b>Material, Wetted</b>	Glass-filled nylon, EPDM
<b>Max. Flow</b>	30 l/min
<b>Max. Temperature of Coil</b>	311°F (155°C)
<b>Medium</b>	Air, water, gas, or compatible fluids
<b>Mount</b>	M2x14
<b>Operating Temp. Range</b>	14 to 122°F (-10 to 50°C) <i>Must use clean, dry air when &lt;32°F (0°C)</i>
<b>Operating Pressure*</b>	0 to 36 psig (2.5 bar)
<b>Response Time</b>	6 ms
<b>Voltage</b>	12 to 24 VDC
<b>Wattage</b>	1.3 to 2.8 watts
<b>More Details</b>	<a href="http://clippard.com/link/e2s">clippard.com/link/e2s</a>

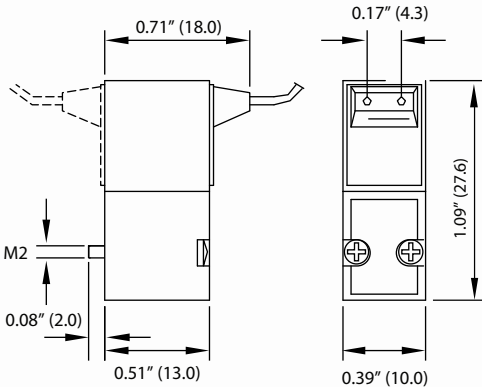
\*Always less than 2 psig (0.1 bar) backpressure on outlet port for proper function.

The E2S series valve combines the versatility of Clippard's compact 10 mm valve line with the advantages of media isolation. With a durable, glass-filled nylon body and an EPDM diaphragm that separates the actuation mechanism from the flow path, the E2S series is an excellent choice for dispensing a wide range of aggressive gases and liquids in applications that require compact, electronically-controlled valves which have minimal backpressure. Applications include printing equipment, medical diagnostic devices, dental equipment, fermentation, water treatment, dispensing, and more.

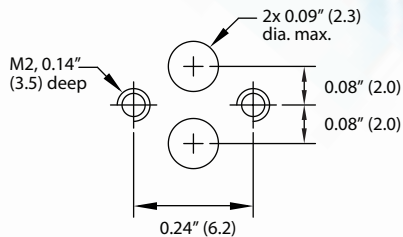
## Customization Options

- Voltage
- Power
- Electrical Connectors
- IP Protection
- Pressures
- Silent operation for quiet environments

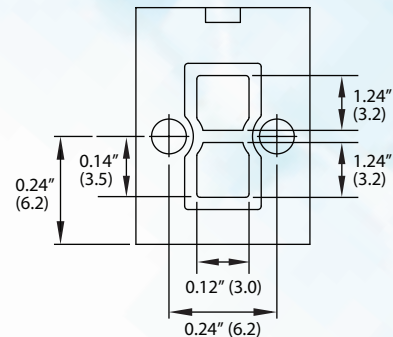




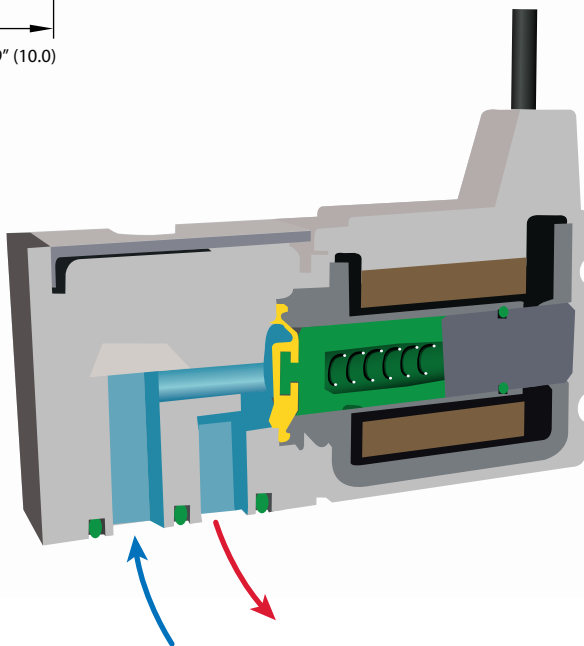
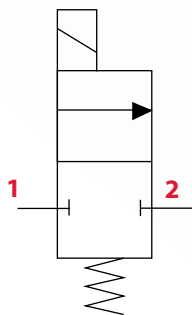
**Suggested Subbase**



**Pneumatic Interface**



**2-Way Monodirectional**



Dimensions shown are in inches (millimeters listed in parentheses).

Visit [clippard.com](http://clippard.com) for more detailed 2D and 3D drawings.

**ORDERING INFORMATION**

**E 2 S 1 0 □ W □**

**Orifice and Wattage**

- C-2 0.03" (0.8 mm), 1.3 watts—15 l/min @ 36 psig (2.5 bar)
- F-4 0.05" (1.2 mm), 2.0 watts—30 l/min @ 36 psig (2.5 bar)
- H-4 0.06" (1.4 mm), 2.0 watts—18 l/min @ 15 psig (1 bar)
- J-5 0.06" (1.6 mm), 2.8 watts—22 l/min @ 15 psig (1 bar)

**Voltage**

- 012 12 VDC
- 024 24 VDC

**Example Part Number:**

**E2S10C-2W012**

For more info, scan the QR code or visit [clippard.com/link/e2s](http://clippard.com/link/e2s)



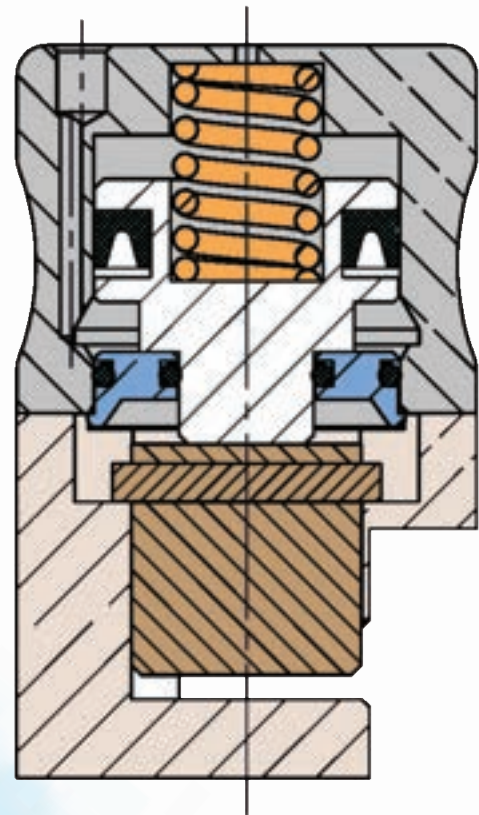
## NPP SERIES PINCH VALVES



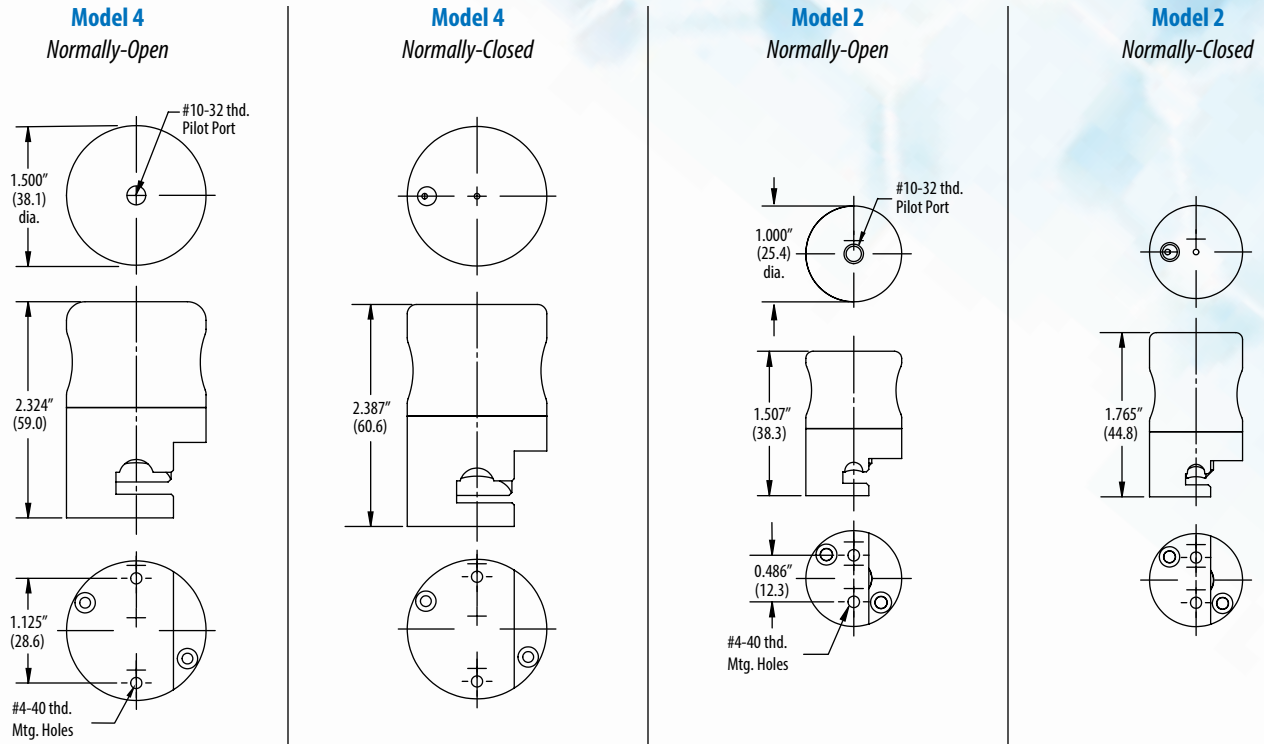
<b>Function</b>	2-way normally-open or normally-closed
<b>Material, Body</b>	Aluminum, ENP
<b>Material, Wetted</b>	Polyurethane tubing ( <i>no wetted areas in valve</i> )
<b>Max. Pilot Pressure</b>	250 psig (17 bar)
<b>Medium</b>	Air, water, gas, or compatible fluids
<b>Mount</b>	#4-40 manifold ( <i>M3 available</i> )
<b>Operating Temp. Range</b>	32 to 230°F (0 to 110°C)
<b>Tubing, Length</b>	Comes with 12" (30 cm) of selected tubing
<b>Voltage</b>	n/a ( <i>air piloted</i> )
<b>Wattage</b>	n/a ( <i>air piloted</i> )
<b>More Details</b>	<a href="http://clippard.com/link/npp-series">clippard.com/link/npp-series</a>

Clippard's NPP series pinch valves utilize an air-piloted design to provide the same functionality and benefits as the NPV series but with the added benefit of lower power and greater force. This makes them ideal for applications that are particularly sensitive to heat or those that require larger or firmer tubes.

- Unobstructed flow path
- Each valve comes with 12" (30 cm) of silicone tubing pre-installed
- Tubing is easily replaceable
- Low power consumption
- High cycle life
- Large variety of tubing sizes available
- Ideal for applications that are sensitive to heat
- A great choice for closing larger and/or firmer tubes

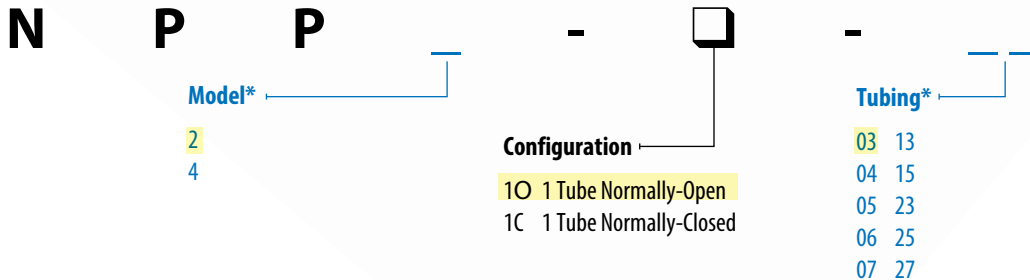






Dimensions shown are in inches (millimeters listed in parentheses). Visit [clippard.com](http://clippard.com) for more detailed 2D and 3D drawings.

## ORDERING INFORMATION



\*Use the chart below to identify the appropriate **Model** and **Tubing** based on the desired specifications.

Tubing Type	Max. Pressure	Tubing I.D.	Tubing O.D.	Tubing Wall	Min. to Open	Min. to Close	Model	Tubing
Medical/Laboratory Grade Silicone Tubing	30 psig (2 bar)	1/16" (1.6 mm)	1/8" (3.8 mm)	1/32" (0.8 mm)	15 psig (1 bar)	30 psig (2 bar)	2	03
	30 psig (2 bar)	1/16" (1.6 mm)	3/16" (4.8 mm)	1/16" (1.6 mm)	40 psig (2.8 bar)	30 psig (2 bar)	2	04
	20 psig (1.4 bar)	1/8" (3.8 mm)	1/4" (6.4 mm)	1/16" (1.6 mm)	10 psig (0.7 bar)	20 psig (1.4 bar)	4	05
	20 psig (1.4 bar)	3/16" (4.8 mm)	5/16" (7.9 mm)	1/16" (1.6 mm)	10 psig (0.7 bar)	20 psig (1.4 bar)	4	06
Polyurethane Tubing	20 psig (1.4 bar)	1/4" (6.4 mm)	3/8" (9.5 mm)	1/16" (1.6 mm)	10 psig (0.7 bar)	20 psig (1.4 bar)	4	07
	105 psig (7.2 bar)	1/16" (1.6 mm)	1/8" (3.8 mm)	1/32" (0.8 mm)	50 psig (3.4 bar)	65 psig (4.5 bar)	2	13
Sanitary Food Grade Silicone Tubing	105 psig (7.2 bar)	1/8" (3.8 mm)	1/4" (6.4 mm)	1/16" (1.6 mm)	45 psig (3 bar)	65 psig (4.5 bar)	4	15
	14 psig (1 bar)	1/16" (1.6 mm)	1/8" (3.8 mm)	1/32" (0.8 mm)	15 psig (1 bar)	30 psig (2 bar)	2	23
	14 psig (1 bar)	1/8" (3.8 mm)	1/4" (6.4 mm)	1/16" (1.6 mm)	10 psig (0.7 bar)	20 psig (1.4 bar)	4	25
	9 psig (0.6 bar)	1/4" (6.4 mm)	3/8" (9.5 mm)	1/16" (1.6 mm)	10 psig (0.7 bar)	20 psig (1.4 bar)	4	27

### Example Part Number:

**NPP2-1O-03**

For more info, scan the QR code or visit

[clippard.com/link/npp-series](http://clippard.com/link/npp-series)



## NPV SERIES PINCH VALVES

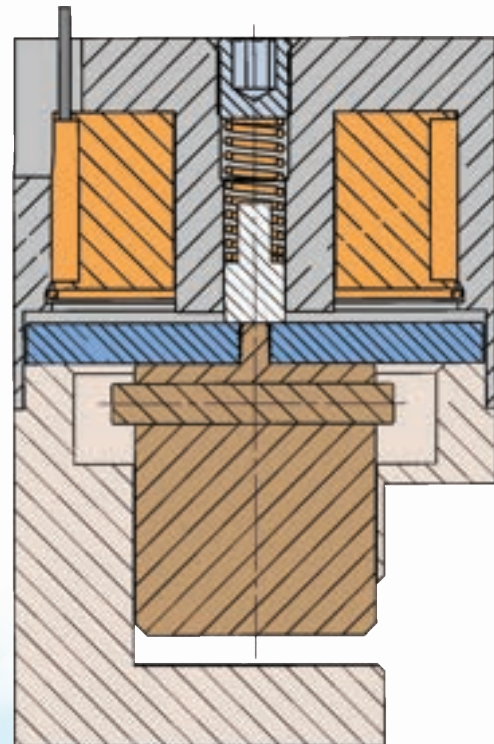


NPV series pinch valves are solenoid-operated devices that are designed to open and close tubes for controlling flow of liquids and gases. Whereas other valve types have internal passages that may cause small amounts of fluid to remain in the valve, pinch valves have no areas where fluid can become trapped. Energizing the solenoid retracts or attracts the plunger, which opens or closes the tube, while de-energizing the solenoid allows the plunger to return to its original state.

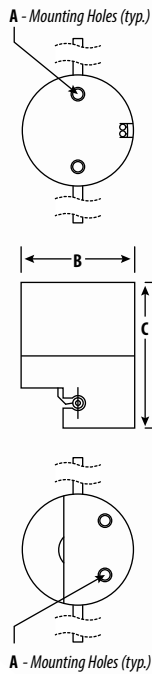
Clippard pinch valves have an unobstructed flow path with zero dead volume—only the inside of the tubing contacts the fluid. This makes them ideal for handling whole blood or other media with particulate matter.

- Unobstructed flow path
- Each valve comes with 12" (30 cm) of silicone tubing pre-installed
- Tubing is easily replaceable
- Low power consumption
- High cycle life
- Large variety of tubing sizes available

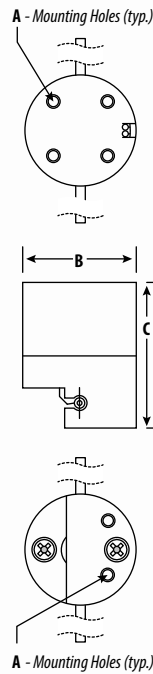
<b>Connection</b>	18" (45 cm) wire leads
<b>Documentation</b>	CE, RoHS
<b>Function</b>	2-way normally-open or normally-closed; 3-way, one tube normally-open, one tube normally-closed
<b>Material, Wetted</b>	Silicone tubing ( <i>no wetted areas in valve</i> )
<b>Max. Pressure</b>	30 psig (2 bar)
<b>Medium</b>	Air, water, gas, or compatible fluids
<b>Mount</b>	#2-56 or #4-40 manifold ( <i>M3 available</i> )
<b>Operating Pressure</b>	0 to 30 psig (0 to 2 bar) with standard medical / laboratory grade silicone tubing
<b>Operating Temperature</b>	-20 to 158°F (-29 to 70°C)
<b>Response Time</b>	5 to 50 ms
<b>Voltage</b>	12 or 24 VDC ( <i>additional options available</i> )
<b>Wattage</b>	1.0 to 7.2 watts
<b>More Details</b>	<a href="http://clippard.com/link/npv-series">clippard.com/link/npv-series</a>



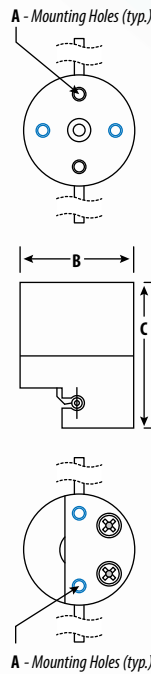
**Model 1**  
Normally-Closed



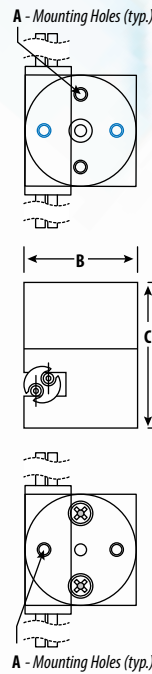
**Models 2, 3, & 4**  
Normally-Closed



**All Models**  
Normally-Open



**All Models, 3-Way**  
1 Tube N.O., 1 Tube N.C.



■ All versions  
■ Models 2, 3, & 4

■ All versions  
■ Models 2, 3, & 4

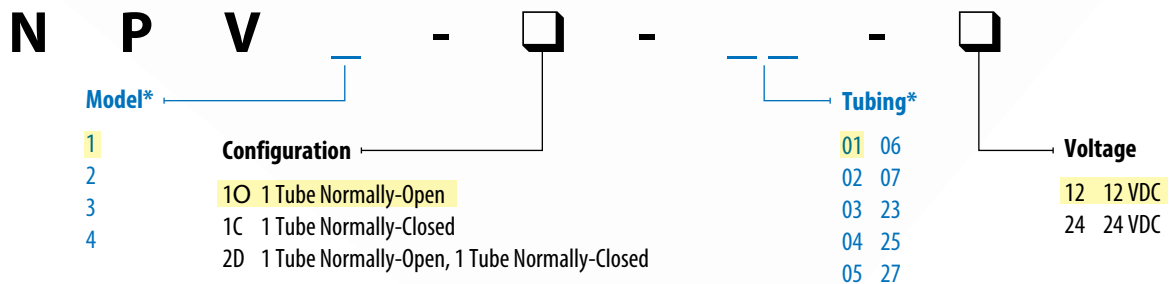
**DIMENSIONS**

Model	A	B	C
1	#2-56	0.750" (19.1)	1.000" to 1.625" (25.4 to 41.3)
2	#4-40	1.000" (25.4)	1.462" to 1.842" (25.4 to 46.8)
3	#4-40	1.250" (31.8)	1.842" to 2.313" (46.8 to 58.8)
4	#4-40	1.500" (38.1)	2.197" to 2.663" (55.8 to 67.6)

Dimensions shown are in inches (millimeters listed in parentheses).

Visit [clippard.com](http://clippard.com) for more detailed 2D and 3D drawings.

**ORDERING INFORMATION**



\*Use the chart below to identify the appropriate **Model** and **Tubing** based on the desired specifications.

Tubing Type	Max. Pressure	Tubing I.D.	Tubing O.D.	Tubing Wall	Amps	Power	Model	Tubing
Medical/Laboratory Grade Silicone Tubing	30 psig (2 bar)	0.030" (0.8 mm)	0.065" (1.7 mm)	0.0175" (0.4 mm)	0.08	1.0 W	1	01
		1/32" (0.8 mm)	3/32" (2.4 mm)	1/32" (0.8 mm)	0.13	1.5 W	2	02
		1/16" (1.6 mm)	1/8" (3.2 mm)	1/32" (0.8 mm)	0.13	1.5 W	2	03
		1/16" (1.6 mm)	3/16" (4.8 mm)	1/16" (1.6 mm)	0.40	4.2 W	3	04
	20 psig (1.4 bar)	1/8" (3.2 mm)	1/4" (6.4 mm)	1/16" (1.6 mm)	0.40	4.2 W	3	05
		3/16" (4.8 mm)	5/16" (7.9 mm)	1/16" (1.6 mm)	0.60	7.2 W	4	06
Sanitary Food Grade Silicone Tubing	14 psig (1 bar)	1/16" (1.6 mm)	1/8" (3.2 mm)	1/32" (0.8 mm)	0.13	1.5 W	2	23
		1/8" (3.2 mm)	1/4" (6.4 mm)	1/6" (1.6 mm)	0.40	4.2 W	3	25
	9 psig (0.6 bar)	1/4" (6.4 mm)	3/8" (9.5 mm)	1/16" (1.6 mm)	0.60	7.2 W	4	27

**Example Part Number:**

**NPV1-1O-01-12**

For more info, scan the QR code or visit

[clippard.com/link/npv-series](http://clippard.com/link/npv-series)



# PINCH VALVE TUBING



Clippard pinch valves come pre-installed with 12" of easily replaceable medical/laboratory grade or sanitary food grade silicone tubing available in a large variety of sizes.

- Each valve comes with 12" (30 cm) of select silicone tubing pre-installed
- Tubing is easily replaceable
- High cycle life
- Large variety of tubing sizes available
- Available in 5' (1.5 meter) or 50' (15.2 meter) rolls
- Excellent flexibility

## High Quality Medical / Laboratory / Pharmaceutical Grade Silicone

<b>Material</b>	Platinum-cured silicone
<b>Durometer</b>	50 Shore A
<b>Tensile Strength</b>	1,388 psi (95 bar) at break
<b>Elongation at Break</b>	815%
<b>Modulus at 200%</b>	299 psi (20 bar)
<b>Tear Strength</b>	263 ppi (46 N/mm)

- No organic plasticizers, phthalates or latex additives
- No peroxide cure chlorophenyl or PCB by-products
- Exceeds USP Class VI plastic tests
- Meets ISO 10993 guidelines for body contact applications
- Manufactured to the principles of FDA 21 CFR 210/211 cGMPs for pharmaceutical products
- Produced in an FDA-registered (CFN-1816403) and inspected healthcare facility

## High Quality Sanitary Food Grade Silicone

<b>Material</b>	Platinum-cured silicone
<b>Durometer</b>	50 Shore A
<b>Tensile Strength</b>	1,450 psi (99 bar) at break
<b>Elongation at Break</b>	770%
<b>Modulus at 200%</b>	280 psi (19 bar)
<b>Tear Strength</b>	200 ppi (35 N/mm)

- Suitable for applications where preservation of taste, aroma and color are crucial
- Entirely non-toxic, non-hemolytic and non-pyrogenic
- Meets USP Class VI criteria and 3-A sanitary standards
- NSF 51 standard and FDA 21 CFR Part 177.2600 criteria
- Complies with ISO 10993 guidelines for contact with blood (or other body fluids or tissue) for up to 30 days as listed in the FDA GP-84

## Polyurethane

<b>Material</b>	Polyurethane
<b>Durometer</b>	85 Shore A
<b>Static Burst Pressure</b>	>500 psig (34.5 bar) @ 70°F (21°C)

- Abrasion and chemical resistant
- UV stabilized
- NSF61 resin compliance, meets UL94MB and USPVI

# More Information About Pinch Valve Tubing

## High Quality Medical/Laboratory Grade Silicone

This high quality, platinum-cured silicone tubing is specifically designed for use in medical devices and contains no organic plasticizers, phthalates or latex additives, peroxide cure chlorophenyl, or PCB by-products. This type of silicone tubing is commonly used in medical applications such as drug dispensing, urinary collection systems, dialysis equipment, IV systems, on the waste side of instrumentation, and countless other applications.

## High Quality Sanitary Food Grade Silicone

This high quality, food grade tubing is suitable for various applications in the food and beverage industries where preservation of taste, aroma and color are crucial. It is entirely non-toxic and non-pyrogenic.

## Polyurethane

This is a flexible, durable, UV-stabilized, ether-based tubing. It is abrasion and chemical resistant and well-suited for a wide range of applications. Complies with NSF61 and meets UL94MB and USPVI.



## ORDERING INFORMATION

Tubing Type		Tubing No.	Max. Pressure	Tubing I.D.	Tubing O.D.	Tubing Wall	Tubing	Min. to Close	Min. to Open
SIH1 Medical/Laboratory Grade Silicone Tubing		0201	30 psig (2 bar)	0.030" (0.8 mm)	0.065" (1.7 mm)	0.0175" (0.4 mm)	01		
		0301		1/32" (0.8 mm)	3/32" (2.4 mm)	1/32" (0.8 mm)	02		
		0402		1/16" (1.6 mm)	1/8" (3.2 mm)	1/32" (0.8 mm)	03	15 psig (1 bar)	30 psig (2 bar)
		0602		1/16" (1.6 mm)	3/16" (4.8 mm)	1/16" (1.6 mm)	04	40 psig (2.8 bar)	30 psig (3 bar)
		0804		1/8" (3.2 mm)	1/4" (6.4 mm)	1/16" (1.6 mm)	05	10 psig (0.7 bar)	20 psig (1.4 bar)
		1006	20 psig (1.4 bar)	3/16" (4.8 mm)	5/16" (7.9 mm)	1/16" (1.6 mm)	06	10 psig (0.7 bar)	20 psig (1.4 bar)
		1208		1/4" (6.4 mm)	3/8" (9.5 mm)	1/16" (1.6 mm)	07	10 psig (0.7 bar)	20 psig (1.4 bar)
SFG1 Sanitary Food Grade Silicone Tubing		0402	14 psig (1 bar)	1/16" (1.6 mm)	1/8" (3.2 mm)	1/32" (0.8 mm)	23	15 psig (1 bar)	30 psig (3 bar)
		0804		1/8" (3.2 mm)	1/4" (6.4 mm)	1/16" (1.6 mm)	25	10 psig (0.7 bar)	20 psig (1.4 bar)
		1208	9 psig (0.6 bar)	1/4" (6.4 mm)	3/8" (9.5 mm)	1/16" (1.6 mm)	27	10 psig (0.7 bar)	20 psig (1.4 bar)
URH1 Polyurethane Tubing		0402	105 psig (7.2 bar)	1/16" (1.6 mm)	1/8" (3.2 mm)	5/16" (7.9 mm)	13	50 psig (3.4 bar)	65 psig (4.5 bar)
		0804		1/8" (3.2 mm)	1/4" (6.4 mm)	1/16" (1.6 mm)	15	45 psig (3 bar)	65 psig (4.5 bar)

### Roll Size

- 005 5' (1.5 meters)
- 050 50' (15 meters)

### Example Part Number:

SIH1-0201-NAS-005

For more info, scan the QR code or visit

[clippard.com/link/pinch-tubing](http://clippard.com/link/pinch-tubing)



## LONG STROKE PINCH VALVE



This powerful pinch valve provides the same functionality as Clippard's standard NPV series but with the added benefits of a longer stroke. This makes it ideal for applications that require greater flow or those that utilize viscous or particulate-laden media. As with all Clippard pinch valves, each valve comes pre-installed with 12" (30 cm) of your choice of standard medical/laboratory grade or sanitary food grade silicone tubing.

Do you have an application that requires a special type of tubing? All Clippard pinch valves are compatible with a wide range of tubing. Contact us to discuss your specific needs.

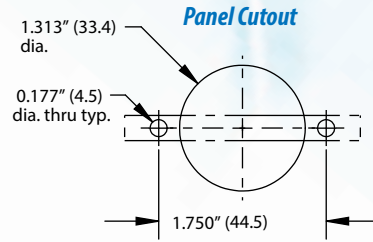
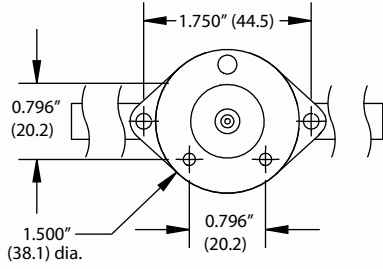
- Unobstructed flow path
- Each valve comes with 12" (30 cm) of silicone tubing pre-installed
- Tubing is easily replaceable
- Higher flow
- Longer stroke

<b>Connection</b>	18" (45 cm) wire leads
<b>Documentation</b>	IEC, RoHS
<b>Function</b>	2-way normally-closed
<b>Material, Body</b>	Stainless steel and aluminum (ENP)
<b>Material, Wetted</b>	Silicone tubing ( <i>no wetted areas in valve</i> )
<b>Medium</b>	Air, water, gas, or compatible fluids
<b>Mount</b>	Panel
<b>Operating Pressure</b>	0 to 20 psig (0 to 1.4 bar) with standard medical / laboratory grade silicone tubing
<b>Operating Temperature</b>	-20 to 158°F (-29 to 70°C)
<b>Response Time</b>	50 ms
<b>Typical Current-Limiting Configurations*</b>	100% duty cycle, hit at 24V, hold at 6V; 50% duty cycle, hit at 24V, hold at 12V with 38 kHz pwm
<b>Voltage</b>	24 VDC
<b>Wattage</b>	72 watts
<b>More Details</b>	<a href="http://clippard.com/link/npv7">clippard.com/link/npv7</a>

*\*Note: It is not recommended to use this valve without the addition of current-limiting circuitry (i.e., hit and hold circuit and/or pwm). On its own, the valve surface will reach temperatures exceeding 140°F (60°C) and will become a burn hazard.*

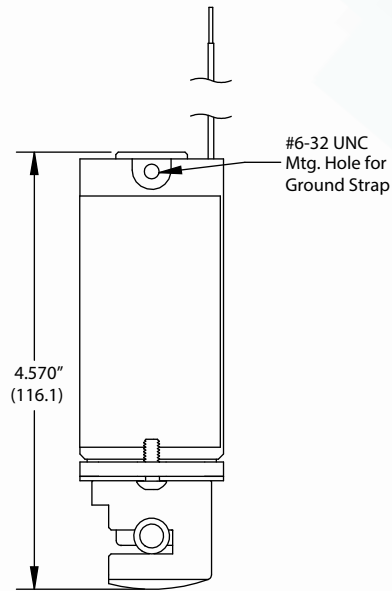
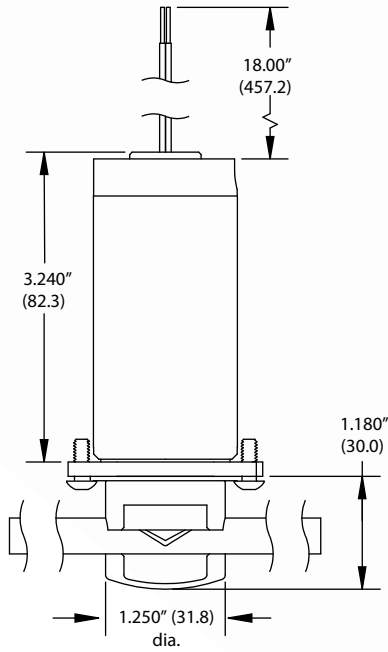
## Applications

- Medical and analytical testing
- Dialysis
- Blood analysis and processing
- Peptide synthesis
- DNA synthesis
- Bioreactors
- Bioprocessing
- Inkjet printing
- Liquid and gas chromatography
- Drug manufacturing
- Chemical processing
- Controlling the flow of chemical liquids and slurries
- Water and wastewater treatment
- Precision control of chemical injections
- Food processing
- Pulp processing
- Handling abrasive or viscous fluids



Dimensions shown are in inches (millimeters listed in parentheses).

Visit [clippard.com](http://clippard.com) for more detailed 2D and 3D drawings.



## ORDERING INFORMATION

**N P V 7 - 1 C P - - 2 4**

Tubing\*

06  
07  
27

\*Use the chart below to identify the appropriate tubing based on the desired specifications.

Tubing Type	Max. Pressure	Tubing I.D.	Tubing O.D.	Tubing Wall	Tubing
Medical/Laboratory Grade Silicone Tubing	20 psig (1.4 bar)	3/16" (4.8 mm)	5/16" (7.9 mm)	1/16" (1.6 mm)	06
	10 psig (0.7 bar)	1/4" (6.4 mm)	3/8" (9.5 mm)	1/16" (1.6 mm)	07
Sanitary Food Grade Silicone Tubing	9 psig (0.6 bar)	1/4" (6.4 mm)	3/8" (9.5 mm)	1/16" (1.6 mm)	27

### Example Part Number:

**NPV7-1CP-06-24**

For more info, scan the QR code or visit

[clippard.com/link/npv7](http://clippard.com/link/npv7)



## PANEL MOUNT PINCH VALVES



For applications that require better access or enhanced cleanliness, Clippard NPV series pinch valves are also available with a convenient panel mount option. Panel mounted pinch valves provide all the same benefits as Clippard's standard NPV series along with seamless integration and easy accessibility. Compared to standard manifold mounted pinch valves, panel mounting offers simplified installation, a cleaner appearance, and reduced contamination risk.

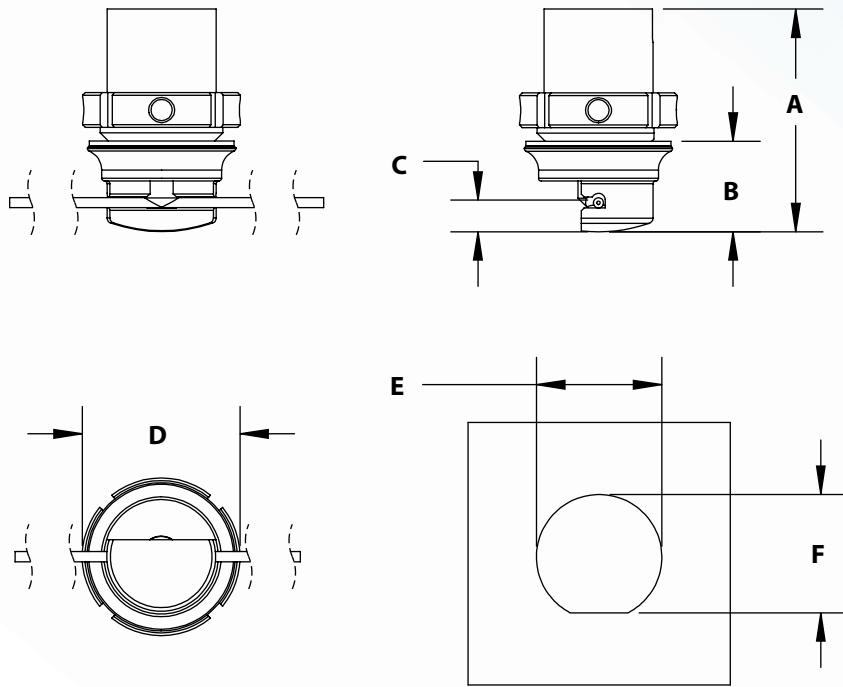
As with all Clippard pinch valves, the panel mounted NPV series features an unobstructed flow path with zero dead volume—only the inside of the tubing contacts the fluid.

- Unobstructed flow path
- Each valve comes with 12" (30 cm) of silicone tubing pre-installed
- Tubing is easily replaceable
- Low power consumption
- High cycle life
- Large variety of tubing sizes available

<b>Connection</b>	18" (45 cm) wire leads
<b>Documentation</b>	CE, RoHS
<b>Function</b>	2-way normally-open or normally-closed
<b>Material, Body</b>	Aluminum ENP
<b>Material, Wetted</b>	Silicone tubing ( <i>no wetted areas in valve</i> )
<b>Max. Pressure</b>	30 psig (2 bar)
<b>Medium</b>	Air, water, gas, or compatible fluids
<b>Mount</b>	Thru panel
<b>Operating Pressure</b>	0 to 30 psig (0 to 2 bar) with standard medical / laboratory grade silicone tubing
<b>Operating Temperature</b>	-20 to 158°F (-29 to 70°C)
<b>Ports</b>	#10-32, 1/4-28 UNF, or 1/8 NPS
<b>Response Time</b>	50 ms
<b>Voltage</b>	12 or 24 VDC ( <i>additional options available</i> )
<b>Wattage</b>	1.0 to 7.2 watts
<b>More Details</b>	<a href="http://clippard.com/link/npv-p">clippard.com/link/npv-p</a>







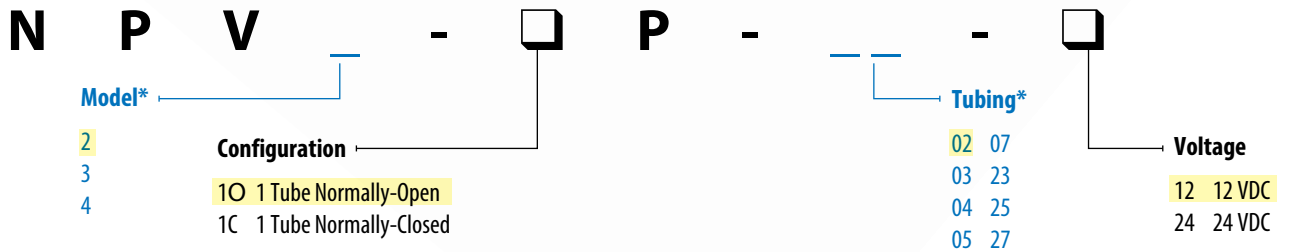
## DIMENSIONS

Model	2	3	4
A - N.O.	2.04" (51.89)	2.45" (62.23)	2.83" (71.98)
A - N.C.	2.19" (55.74)	2.62" (66.61)	3.01" (76.37)
B	.83" (21.08)	1.04" (26.37)	1.32" (33.58)
C	0.29" (7.37)	0.42" (10.54)	0.53" (13.49)
D	1.45" dia. (36.75)	1.70" dia. (43.13)	1.94" dia. (49.38)
E	1.150" ±0.005" dia. (29.21 ±0.13)	1.390" ±0.005" dia. (35.31 ±0.13)	1.640" ±0.005" dia. (41.66 ±0.13)
F	1.085" ±0.005" (27.56 ±0.13)	1.335" ±0.005" (33.91 ±0.13)	1.580" ±0.005" (40.13 ±0.13)

Dimensions shown are in inches  
(millimeters listed in parentheses).

Visit [clippard.com](http://clippard.com) for more detailed  
2D and 3D drawings.

## ORDERING INFORMATION



\*Use the chart below to identify the appropriate **Model** and **Tubing** based on the desired specifications.

Tubing Type	Max. Pressure	Tubing I.D.	Tubing O.D.	Tubing Wall	Amps	Power	Model	Tubing
Medical/Laboratory Grade Silicone Tubing	30 psig (2 bar)	1/32" (0.8 mm)	3/32" (2.4 mm)	1/32" (0.8 mm)	0.13	1.5 W	2	02
		1/16" (1.6 mm)	1/8" (3.2 mm)	1/32" (0.8 mm)	0.13	1.5 W	2	03
		1/16" (1.6 mm)	3/16" (4.8 mm)	1/16" (1.6 mm)	0.40	4.2 W	3	04
	20 psig (1.4 bar)	1/8" (3.2 mm)	1/4" (6.4 mm)	1/16" (1.6 mm)	0.40	4.2 W	3	05
1/4" (6.4 mm)		3/8" (9.5 mm)	1/16" (1.6 mm)	0.60	7.2 W	4	07	
Sanitary Food Grade Silicone Tubing	14 psig (1 bar)	1/16" (1.6 mm)	1/8" (3.2 mm)	1/32" (0.8 mm)	0.13	1.5 W	2	23
		1/8" (3.2 mm)	1/4" (6.4 mm)	1/16" (1.6 mm)	0.40	4.2 W	3	25
	9 psig (0.6 bar)	1/4" (6.4 mm)	3/8" (9.5 mm)	1/16" (1.6 mm)	0.60	7.2 W	4	27

### Example Part Number:

NPV2-1OP-02-12

For more info, scan the  
QR code or visit

[clippard.com/link/npv-p](http://clippard.com/link/npv-p)



## HIT & HOLD OPTION



The general principal behind a hit and hold circuit is that the valve is energized to full power for a short period of time before dropping the voltage and current to a specified level. Applications that are sensitive to heat rise can greatly benefit from hit and hold circuits, as can high cycle and low temperature applications. In some applications, hit and hold can actually extend the life of the valve.

Clippard's hit and hold option minimizes the heat generated by the coil while dropping power consumption to 1/4, 1/9, or 1/16 of the rated power when the holding voltage PWM duty cycle is 50%, 33%, and 25% respectively. This option is available on Clippard NIV, PIV, and NPV series valves.

- Lower power consumption
- Less heat generation by the coil
- Increased life cycle
- Ideal for applications that are sensitive to heat rise



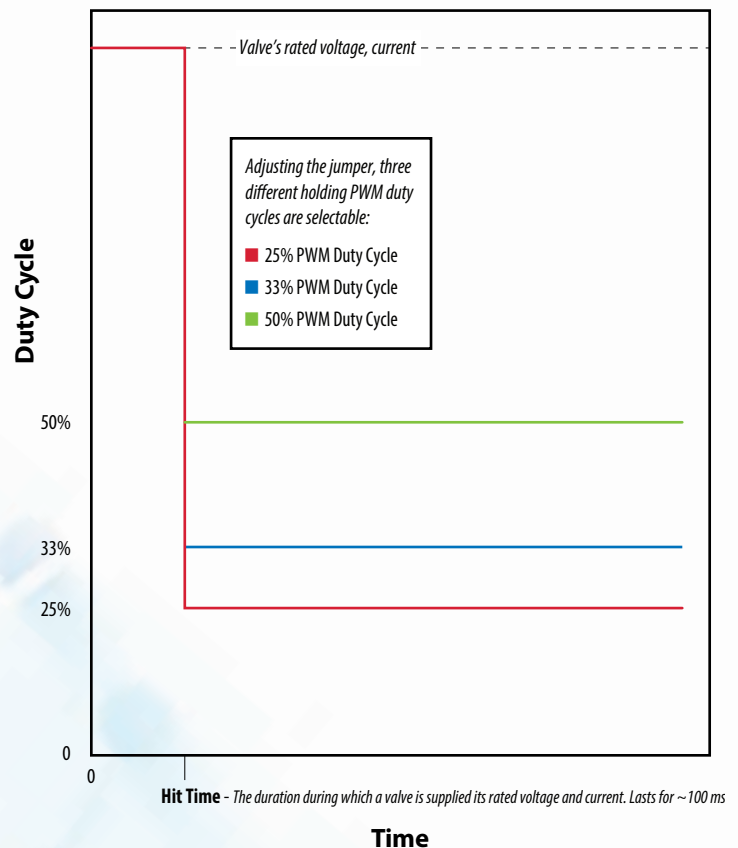
<b>Output</b>	8-24 V, 3A max.
<b>Hold Voltage PWM Freq.</b>	25 KHz
<b>LED Indicators</b>	Power status (green), trigger status (blue), warning (red—indicates for over 3.75 A, over 140° C, or short circuit)
<b>Hit Time</b>	100 ±10 ms
<b>Trigger Input</b>	2.5 to 24 VDC
<b>Life Cycle</b>	1,000,000 expected
<b>More Info</b>	<a href="http://clippard.com/link/hit-hold">clippard.com/link/hit-hold</a>

### PRELIMINARY

**Note:** This product is still in development.

*Specifications are subject to change.*

### VOLTAGE, CURRENT PERFORMANCE



**NPV-P**  
Panel Mounted Pinch Valves

**NIV / NPV**  
Isolation and Pinch Valves

**DIMENSIONS, NPV-P** (Panel Mounted Pinch Valves)

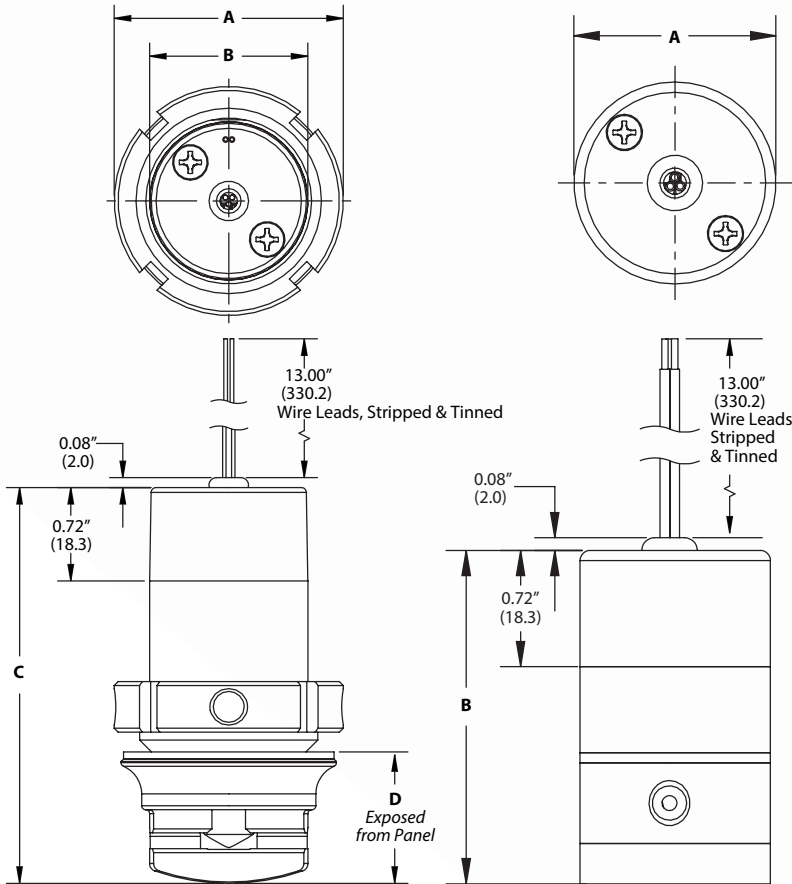
Model	2	3	4
<b>A</b>	1.45" dia. (36.8)	1.70" dia. (43.1)	1.94" dia. (49.4)
<b>B</b>	1.00" dia. (25.4)	1.25" dia. (31.7)	1.50" dia. (38.1)
<b>C</b>	2.63" (66.9)	3.04" (77.2)	3.42" (87.0)
<b>D</b>	0.83" (21.2)	1.04" (26.4)	1.32" (33.6)

**DIMENSIONS, NIV & NPV** (Isolation & Pinch Valves)

Model	2	3	4
<b>A</b>	1.00" dia. (25.4)	1.25" dia. (31.7)	1.50" dia. (38.1)
<b>B</b>	2.04" (51.8)	2.44" (61.9)	2.79" (70.8)

Dimensions shown are in inches  
(millimeters listed in parentheses).

Visit [clippard.com](http://clippard.com) for more detailed  
2D and 3D drawings.



**ORDERING INFORMATION**

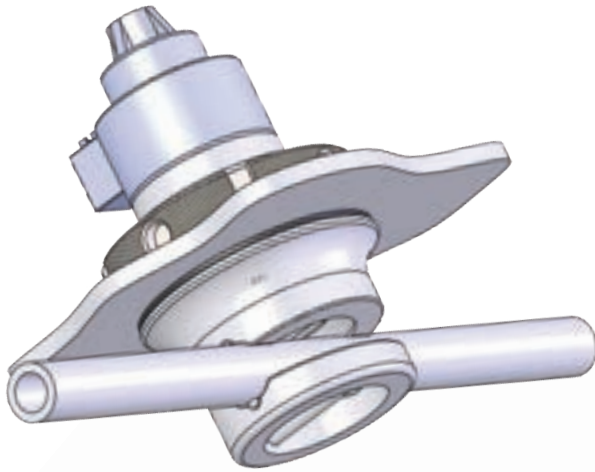
Not Yet Available to Order—**Coming Soon!**

For more info, scan the  
QR code or visit

[clippard.com/link/hit-hold](http://clippard.com/link/hit-hold)



# PPV PROPORTIONAL PINCH VALVE



<b>Function</b>	2-way proportional
<b>Material, Body</b>	ENP aluminum
<b>Material, Seals</b>	FKM
<b>Material, Wetted</b>	TPE tubing ( <i>no wetted areas in valve</i> )
<b>Medium</b>	Air, water, gas, or compatible fluids
<b>Mount</b>	Panel ( <i>gasketed</i> )
<b>Operating Pressure</b>	20 to 30 psig (1.5 to 2 bar)
<b>Panel Thickness</b>	0.250" (6.4 mm) max.
<b>Temperature, Ambient</b>	32 to 180°F (0 to 82°C)
<b>More Details</b>	<a href="http://clippard.com/link/ppv">clippard.com/link/ppv</a>

Clippard's PPV series pinch valve proportionally controls the flow of liquids and gases by pinching a tube set using a high force, high accuracy stepper-driven linear actuator. Its unique design features enable you to take your applications to the next level by providing proportional resolution and linearity that far exceed those of competing models (see chart below).

As with all Clippard pinch valves, the only wetted material is the tubing, which is a medical and pharmaceutical grade thermoplastic elastomer developed to be an excellent alternative to silicone. In addition, the PPV's gasketed panel mount design makes it ideal for applications where sterility and washdown procedures are required.

## ELECTRICAL SPECIFICATIONS

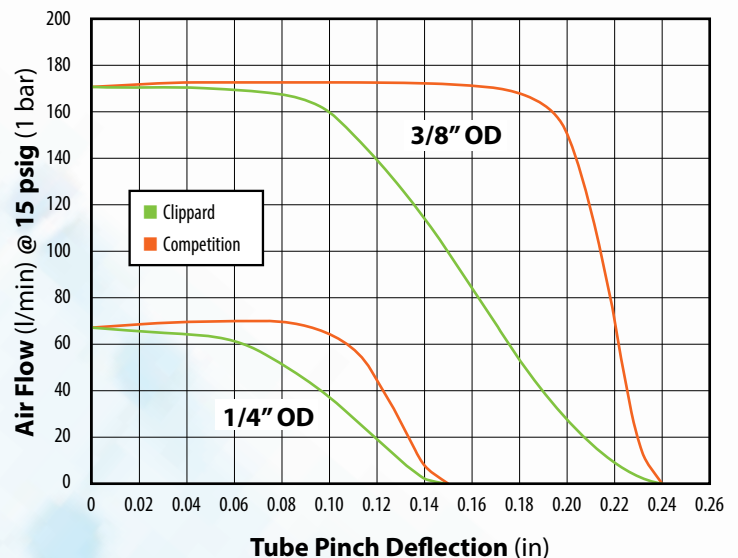
<b>Driver</b>	Bipolar chopper drive
<b>Supply Voltage</b>	5 VDC to motor
<b>Wattage</b>	3.85 watts nominal, 0 power consumption to maintain position

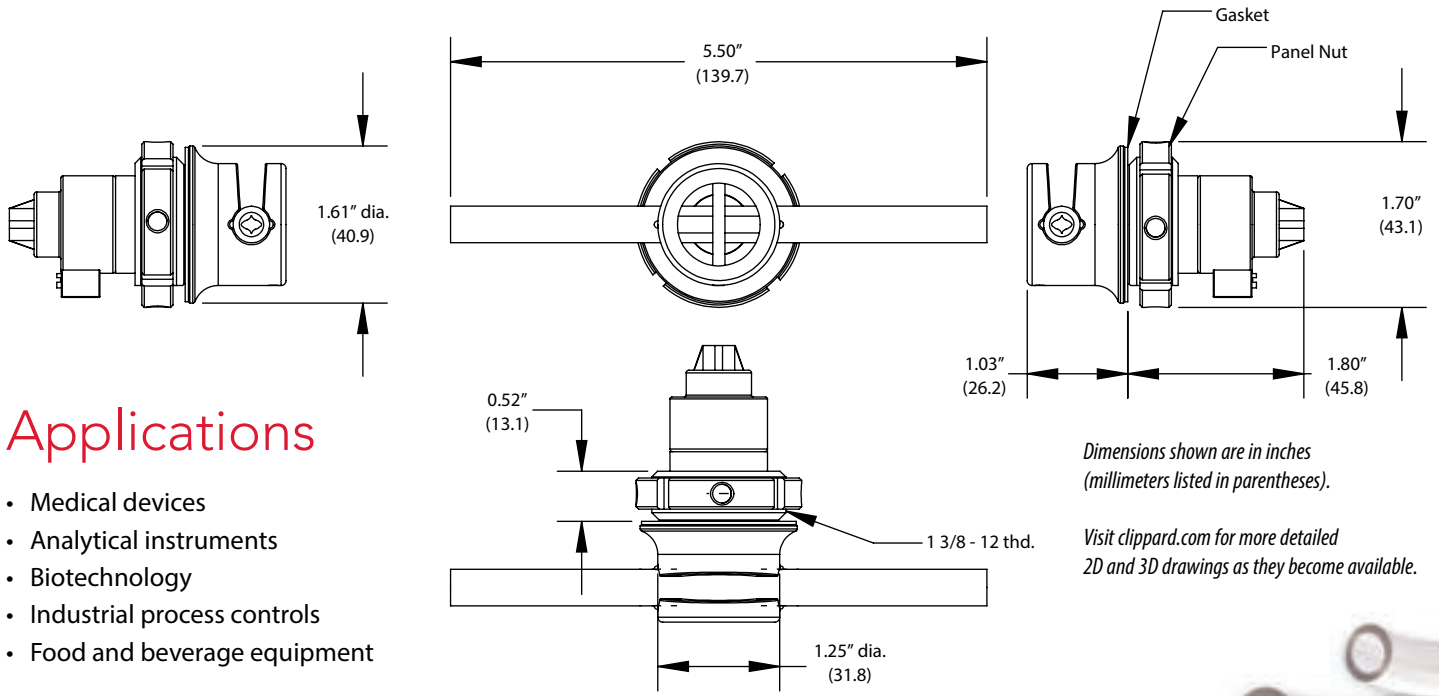
## PRELIMINARY

**Note: This product is still in development.**  
*Specifications are subject to change.*

- **Finer resolution and greater linearity** (*compared with competition*)
- **Replaceable and sterilizable tube set** (*Gamma, EtO, and autoclave capable tubing*)
- **Gasketed panel mount for clean rooms and washdown**
- **High force, high accuracy stepper-driven linear actuator holds position for power savings or at a loss of power**
- **Available in 1/4" and 3/8" OD tube sizes** (*other sizes also available, contact Clippard to discuss*)

## TYPICAL PINCH VALVE FLOW CHARACTERISTIC





## Applications

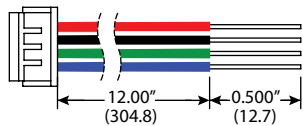
- Medical devices
- Analytical instruments
- Biotechnology
- Industrial process controls
- Food and beverage equipment

Dimensions shown are in inches (millimeters listed in parentheses).

Visit [clippard.com](http://clippard.com) for more detailed 2D and 3D drawings as they become available.

### LINEAR ACTUATOR CHARACTERISTICS

<b>Current / Phase</b>	385 mA
<b>Inductance / Phase</b>	8.08 mH
<b>Insulation Resistance</b>	20M ohms
<b>Motor Voltage</b>	5 VDC
<b>Resistance / Phase</b>	13 ohms
<b>Temperature Rise</b>	135°F (57°C)
<b>Wattage</b>	3.85 watts
<b>Wiring</b>	Bipolar



**Wiring Harness (Included)**  
 Pin 1, Red (A+); Pin 2, Black (A-);  
 Pin 3, Green (B-); Pin 4 Blue (B+)

### HIGH QUALITY MEDICAL / PHARMACEUTICAL GRADE TPE TUBING

<b>Certifications</b>	REACH, RoHS, USP 661 compliant, CFR Title 21, USP Class VI, ISO 10993 (part 4 and 5)
<b>Durometer</b>	68 Shore A
<b>Elongation at Break</b>	470%
<b>Material</b>	Medical / pharmaceutical grade TPE
<b>Size 1*</b>	1/8" (3.2 mm) ID x 1/4" (6.4 mm) OD Max. operating pressure 30 psig (2 bar)
<b>Size 2*</b>	1/4" (6.4 mm) ID x 3/8" (9.5 mm) OD Max. operating pressure 20 psig (1.5 bar)
<b>Sterilization</b>	Autoclave to 275°F (135°C), gamma resistance to 45 kGy, ethylene oxide (EtO)
<b>Tensile Strength</b>	870 psig (60 bar) at break

\*Other sizes also available, contact Clippard to discuss

## ORDERING INFORMATION

Not Yet Available to Order—**Coming Soon!**

Contact Clippard or your local Clippard distributor to discuss participating in the early Beta release

For more info, scan the QR code or visit  
[clippard.com/link/ppv](http://clippard.com/link/ppv)



# PRECISION CONTROL SOLUTIONS



## ELECTRONIC VALVES

Clippard revolutionized the electronic valve market in the early 1970s with the EV series, which quickly became the industry standard for life and reliability. This unparalleled history in providing new and innovative products continues today, aided by advanced manufacturing machines and techniques.

[clippard.com/link/elec-valves](http://clippard.com/link/elec-valves)



## PROPORTIONAL VALVES

For optimal controllability, proportional valves provide output proportional to input. These types of valves are ideal for applications which require variable flow control.

[clippard.com/link/prop-valves](http://clippard.com/link/prop-valves)



## ISOLATION VALVES

Media isolation valves are used for a wide variety of applications, including those that require precise, repeatable dispensing for medical and analytical instrumentation. Choose from a large variety of sizes, configurations, materials, and options or contact us to discuss special customizations.

[clippard.com/link/isolation-valves](http://clippard.com/link/isolation-valves)



## CONTROL VALVES

From flow controls to needle valves, check valves, shuttle valves, exhaust valves and more, Clippard's control valves are available in a wide range configurations and functions. Sizes range from #3-56 and #10-32 through 3/8" NPT, for pressures up to 300 psig.

[clippard.com/link/control-valves](http://clippard.com/link/control-valves)



## DIRECTIONAL CONTROL VALVES

Clippard's line of mechanically-operated directional control valves includes toggle, stem, and lever valves as well as hand and foot-actuated pedal valves, palm button valves, and more. Choose from #3-56, #10-32, 1/8" NPT or 1/4" NPT ports.

[clippard.com/link/directional-valves](http://clippard.com/link/directional-valves)



## AIR PILOT VALVES

The force output of an air pilot is much more powerful than the power produced from electrical solenoids or actuators. This makes air pilot valves ideal for applications where higher air flow and/or lower power are required, as well as when simplicity and cost savings are important.

[clippard.com/link/air-pilot-valves](http://clippard.com/link/air-pilot-valves)



## ELECTRONIC CONTROLS

Clippard's Cordis series is a highly-customizable line of electronic controls designed to help close the loop around pressure and flow. With unparalleled accuracy and resolution, this line will elevate your application to the next level. Take control like never before with the Cordis.

[clippard.com/link/elec-controls](http://clippard.com/link/elec-controls)



## PRESSURE REGULATORS

Regulators are offered in either relieving or non-relieving versions with a large variety of adjustment options and mounting styles to choose from. For even greater precision control, check out Clippard's Cordis line of electronic pressure regulators.

[clippard.com/link/press-reg](http://clippard.com/link/press-reg)



## CUSTOM SOLUTIONS

Clippard excels at designing special variations, modifications, and completely custom valves, fittings, and assemblies. If you need a product that fits your application perfectly, we will work with you to design or modify products to suit your exact needs.

[clippard.com/link/custom](http://clippard.com/link/custom)



## AIR PREP EQUIPMENT

Pneumatic applications with properly conditioned air will operate longer, cost less, and improve system efficiency. Clippard's line includes filters, regulators, lubricators, and combination units from #10-32 up to 1". A modular design and interconnecting hardware simplifies installation and maintenance.

[clippard.com/link/air-prep](http://clippard.com/link/air-prep)



## FITTINGS

Small in size but large in performance, Clippard precision fittings are designed to save you time, space, and money when designing versatile, efficient, trouble-free circuits. Choose from an endless variety in several different styles including push-quick, slip-on, barb, and quick connect.

[clippard.com/link/fittings](http://clippard.com/link/fittings)



## HOSE & TUBING

Choose from a large variety of miniature hose and tubing, including copper and nylon tubing, flexible urethane and vinyl hose and tubing, and food-, medical-, or laboratory-grade silicone tubing.

[clippard.com/link/tubing](http://clippard.com/link/tubing)

Clippard products are distributed through our worldwide network of sales and engineering specialists. All of our representatives are stocking distributors and keep a variety of Clippard products on hand to fill your immediate needs. Each of our distributors are backed by our own large inventory to ensure quick delivery.

To locate your nearest distributor, call 877-245-6247 or visit [clippard.com/distributors](http://clippard.com/distributors)



**ELECTRONIC VALVES**

**PROPORTIONAL VALVES**

**ISOLATION VALVES**

**ELECTRONIC CONTROLS**

**CUSTOM SOLUTIONS**

**PRESSURE REGULATORS**

**CONTROL VALVES**

**DIRECTIONAL CONTROL VALVES**

**AIR PILOT VALVES**

**AIR PREPARATION EQUIPMENT**

**FITTINGS, HOSE, & TUBING**

# *Clippard*

**United States**

**1-877-245-6247**

**Europe**

**+32 10-45-21-34**

**China**

**+86 137-9527-9010**

**DISTRIBUTED BY:**



*Scan QR code or visit  
[clippard.com/link/request-literature](http://clippard.com/link/request-literature)  
to request additional literature.*