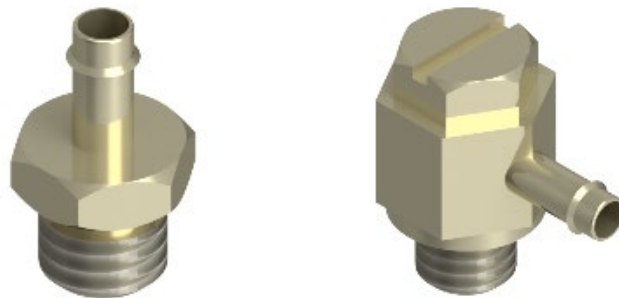


Clippard

Minimatic® Barb Fittings (Metric)



Minimatic® Barb Fittings

Minimatic barb fittings provide a flexible, easy alternative to ferrule and push-to-connect/push-quick fittings. Designed for use with urethane hose, barb fittings will provide a leak-free connection that will hold well beyond the working pressure of the hose without the need for additional clamps.

Nitrile gasket included.

Key Features

- Miniature size provides low profile
- Available with many hose barb sizes
- Holds to the burst pressure of polyurethane hose

Range Overview

Shape	Type	Reference	Page
Straight	Single Barb	M-CT...-SB-...	3
	Multi-Barb	M-CT...-MB-...	3
Elbow (L)	Universal (Positionable)	M-UT0-...	6

Minimatic® Straight Barb Fittings

Technical Data

Material, Body	See Ordering Information - Material, Body
Material, Seal	See Ordering Information - Material, Seal

Ordering Information

Items only available at Clippard Europe:

- web shop: shop.clippard.eu / Fittings / Barb Connectors / Straight
- mail: sales@clippard.eu

Example:

M - C T 2 - SB - ENP - O - V - BLK

Key:

1 2 3 4 5 6 7 8 9

1

Unit	
M	Metric

2

Type	
C	Straight Connector

3

Connection Bottom	
T	M5 (Male)

4

Connection Top	
2	1/16" (I.D.)
3	3/32" (I.D.)
4	1/8" (I.D.)

5

Barb	
SB	Single Barb
MB	Multi-Barb

6

Material, Body	
BRS	Brass
ENP	Electroless Nickel Plated (Brass)
SS3	Stainless Steel 303
SS6	Stainless Steel 316

7

Seal Type	
O	Gasket O-ring

8

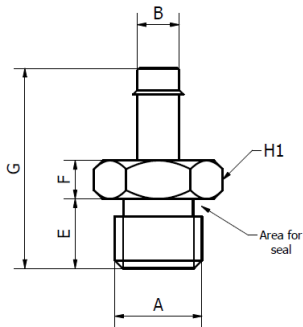
Material, Seal	
V	NBR (Nitrile)
S	FKM (Viton)
E	Silicon EPDM

9

Package	
BLK	Bulk (1 pc)
PKG5	Package (5 pcs)
PKG10	Package (10 pcs)

Dimensions

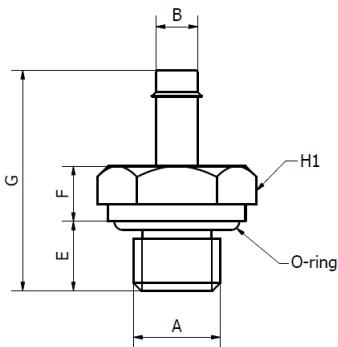
M-CT...-SB-...



Type	A Connection Bottom	B (Tube I.D.) Connection Top	E	F	G	H1 (Hex)
M-CT2-SB-...	M5	1,6 [1/16]	4,0	2,2	11,5	6,4 [1/4]
M-CT3-SB-...	M5	2,4 [3/32]	4,0	2,2	11,5	6,4 [1/4]
M-CT4-SB-...	M5	3,2 [1/8]	4,0	2,2	13,9	6,4 [1/4]

Dimensions in mm [inch]

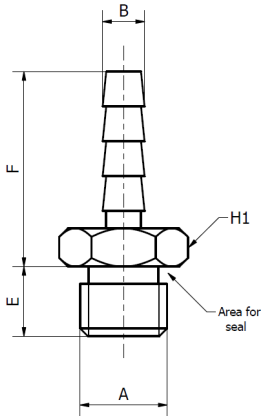
M-CT...-SB-...-O-...



Type	A Connection Bottom	B (Tube I.D.) Connection Top	E	F	G	H1 (Hex)
M-CT2-SB-...-O-...	M5	1,6 [1/16]	4,0	3,2	12,7	7,9 [5/16]
M-CT3-SB-...-O-...	M5	2,4 [3/32]	4,0	3,2	12,7	7,9 [5/16]
M-CT4-SB-...-O-...	M5	3,2 [1/8]	4,0	3,2	15,1	7,9 [5/16]

Dimensions in mm [inch]

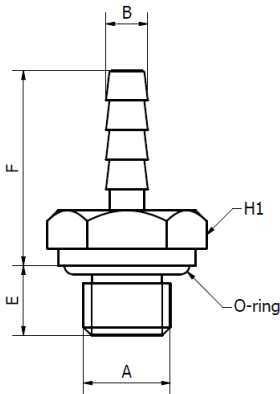
M-CT....-MB-....



Type	A Connection Bottom	B (Tube I.D.) Connection Top	E	F	H1 (Hex)
M-CT2-MB-....	M5	1,6 [1/16]	4,0	11,2	6,4 [1/4]
M-CT3-MB-....	M5	2,4 [3/32]	4,0	11,2	6,4 [1/4]
M-CT4-MB-....	M5	3,2 [1/8]	4,0	11,2	6,4 [1/4]

Dimensions in mm [inch]

M-CT....-MB-....-O-....



Type	A Connection Bottom	B (Tube I.D.) Connection Top	E	F	H1 (Hex)
M-CT2-MB-....-O-....	M5	1,6 [1/16]	4,0	11,2	7,9 [5/16]
M-CT3-MB-....-O-....	M5	2,4 [3/32]	4,0	11,2	7,9 [5/16]
M-CT4-MB-....-O-....	M5	3,2 [1/8]	4,0	11,2	7,9 [5/16]

Dimensions in mm [inch]

Minimatic® Elbow Barb Fittings

Technical Data

Material, Body	See Ordering Information - Material, Body
Material, Seal	See Ordering Information - Material, Seal

Ordering Information

Items only available at Clippard Europe:

- web shop: shop.clippard.eu / Fittings / Barb Connectors / Elbow

- mail: sales@clippard.eu

Example:

M - U T 0 - 3 - ENP - O - V - BLK

Key:

1 2 3 4 5 6 7 8 9

1

Unit	
M	Metric

2

Type	
U	Positionable

3

Connection Bottom	
T	M5 (Male)

4

Connection Top	
0	None

5

Connection Side 1	
2	1/16" (I.D.)
3	3/32" (I.D.)
4	1/8" (I.D.)

6

Material, Body	
BRS	Brass
ENP	Electroless Nickel Plated (Brass)
SS3	Stainless Steel 303
SS6	Stainless Steel 316

7

Seal	
O	Gasket O-ring

8

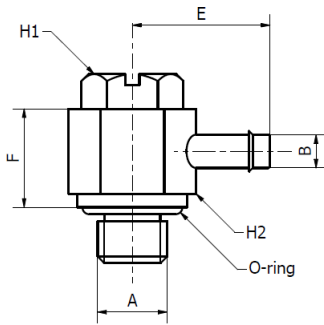
Material, Seal	
V	NBR (Nitrile)
S	FKM (Viton)
E	Silicon
E	EPDM

9

Package	
BLK	Bulk (1 pc)
PKG5	Package (5 pcs)

Dimensions

M-UT0-...-O-...



Type	A Connection Bottom	B (Tube I.D.) Connection Side 1	E	F	H1 (Hex)	H2 (Hex)
M-UT0-2-...-O-...	M5	1,6 [1/16]	9,9	7,1	6,4 [1/4]	7,9 [5/16]
M-UT0-3-...-O-...	M5	2,4 [3/32]	9,9	7,1	6,4 [1/4]	7,9 [5/16]
M-UT0-4-...-O-...	M5	3,2 [1/8]	13,1	7,1	6,4 [1/4]	7,9 [5/16]

Dimensions in mm [inch]